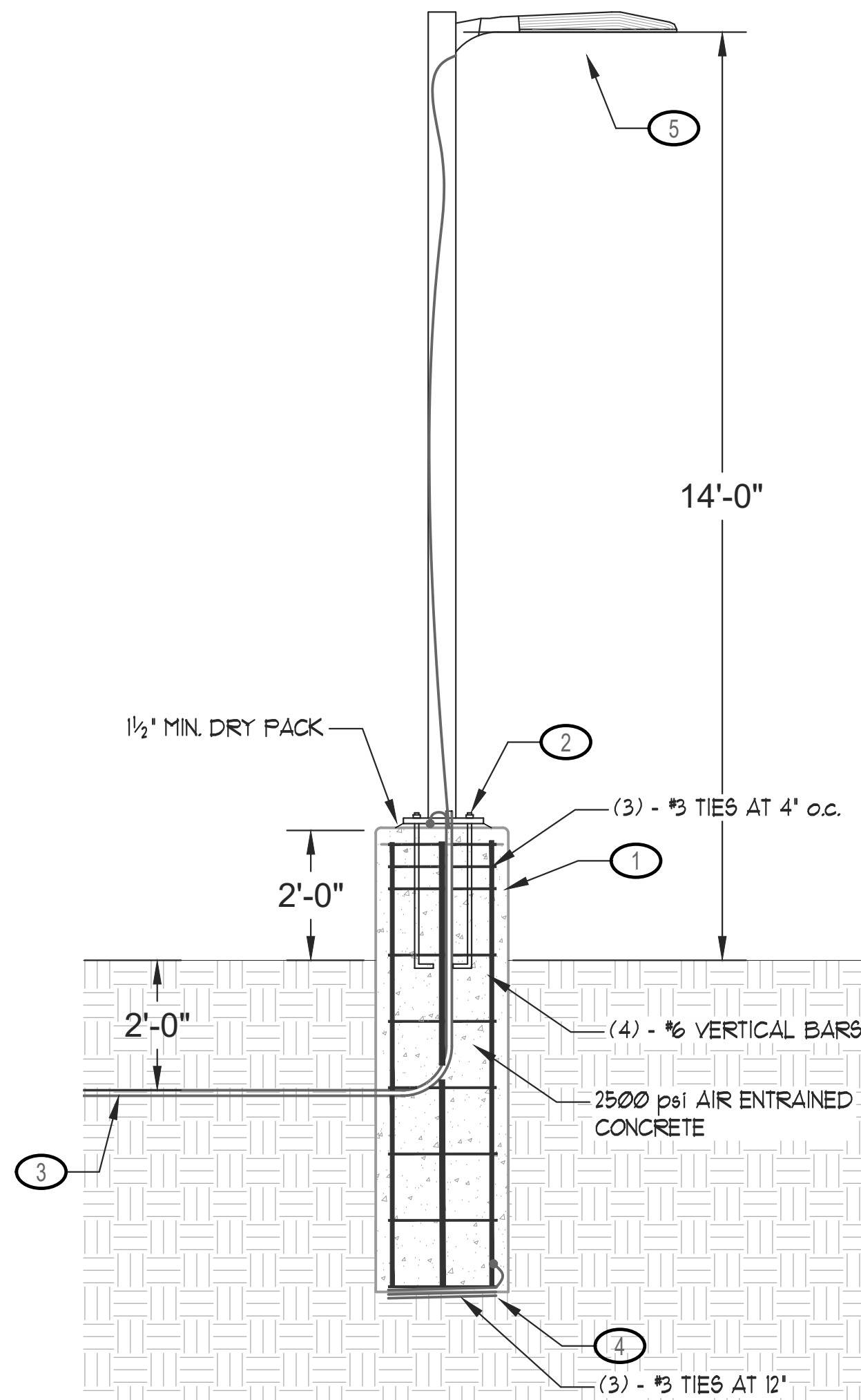


LIGHTING FIXTURE SCHEDULE (1) (5) (7) (8) (9) (10)

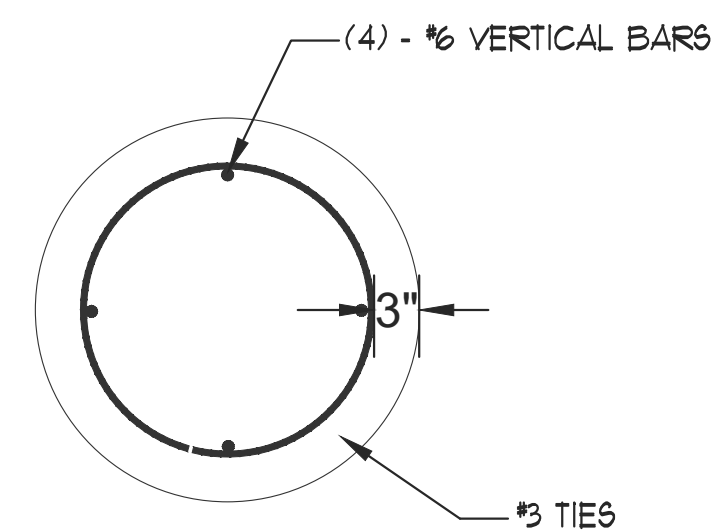
FIXTURE SYMBOL	FIXTURE TYPE	MANUFACTURER DETAILS		POWER (WATTS)	MOUNTING HEIGHT	MOUNTING CONFIG.	LAMP TYPE	NOTES AND REMARKS	VOLTAGE
		NAME	CATALOG NUMBER						
□	F1	ACUITY LITHONIA	DSXUI-LED-20C-100-40K-T3M-MVOLT-PIRIFC3V-HS BUG RATING - B=1, U=0, G=2	46	VERIFY	SURFACE	INTEGRAL LED	NIGHTTIME FRIENDLY BUILDING MOUNT LED FIXTURE WITH MOTION/AMBIENT LIGHT SENSOR WITH INTEGRAL SENSORSWITCH #SBGR-10-ODP	120
⊙	F2	ACUITY LITHONIA	DSXI LED-P6-40K-T3M-MVOLT-SPA-PIRH-HS BUG RATING - B=3, U=0, G=3	163	14'	POLE	INTEGRAL LED	POLE MOUNTED EXTERIOR LED LIGHT WITH INTEGRAL SENSORSWITCH #SBGR-6-ODP-1H-5V DIMMING OCCUPANT/DAYLIGHT SENSOR	120
⊙	F3	ACUITY LITHONIA	FEM-L48-4000LM-LFPCL-MD-MVOLT-GZ10-40K-80CRI-SBOR10 P	24	VERIFY	SURFACE	INTEGRAL LED	ROUGH SERVICE LED FIXTURE (CARPORT/ELEVATOR LIGHTING)	120



A LIGHTING POLE ELECTRICAL DETAIL
1/2" = 1'-0"

LIGHTING POLE BASE NOTES

- 1 ELECTRICAL CONTRACTOR SHALL INCLUDE RETENTION OF AND COORDINATION WITH A LICENSED STRUCTURAL ENGINEER FOR DESIGN OF REINFORCED CONCRETE LIGHTING POLE BASE. INSTALL NEW LIGHTING POLE BASE PER STRUCTURAL DESIGN. MAXIMUM HEIGHT OF LIGHTING POLE SHALL BE +14'-0" AFG. COORDINATE CONCRETE POLE BASE HEIGHT AND LIGHTING POLE HEIGHT AS REQUIRED.
- 2 COORDINATE WITH GENERAL CONTRACTOR AS REQUIRED FOR INSTALLATION OF NEW LIGHTING POLE BASE AND LIGHTING POLE. PROVIDE AND INSTALL LIGHTING POLE, LIGHTING FIXTURE, MOUNTING HARDWARE, ANCHORS, ETC. AS REQUIRED.
- 3 COORDINATE WITH GENERAL CONTRACTOR AS REQUIRED FOR INSTALLATION OF NEW UNDERGROUND BRANCH CIRCUIT WIRING FOR POLE MOUNTED LIGHTING. CONDUIT SHALL BE INSTALLED 24" BFG. EXTEND BRANCH CIRCUIT WIRING UP LIGHTING POLE TO NEW LIGHT FIXTURE AS REQUIRED. PROVIDE GROUND CONNECTION FOR LIGHTING POLE AND LIGHTING FIXTURE AS REQUIRED.
- 4 PROVIDE AND INSTALL 15' OF SPIRAL COIL BARE #4 Cu LIGHTNING GROUNDING ELECTRODE BELOW CONCRETE IN DIRECT CONTACT WITH EARTH AND IRREVERSIBLY BOND TO BOTH STEEL REINFORCING AND POLE SHAFT.
- 5 PROVIDE AND INSTALL NEW LIGHTING FIXTURE AND ALL REQUIRED MOUNTING HARDWARE.



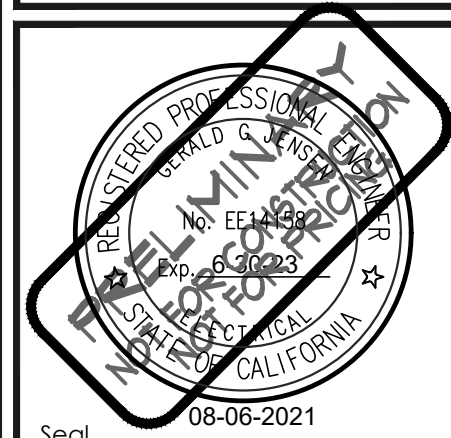
POLE BASE SCHEDULE			
MAX FIXTURE HEIGHT	BASE WIDTH	BASE DEPTH	VERTICAL BARS
14'-0"	24"	24"	(4) - #6

B LIGHTING POLE DETAIL
1" = 1'-0"

ELECTRICAL SHEET INDEX

SHEET NUMBER	SHEET TITLE
E1	LIGHTING FIXTURE SCHEDULE & POLE DETAIL
E2	SITE LIGHTING PLAN
E3	SITE PHOTOMETRIC PLAN
E4.1	PROPOSED LIGHTING CUT SHEETS
E4.2	PROPOSED LIGHTING CUT SHEETS

JENSEN ENGINEERING INC.
 Electrical Engineers
 Reno, Nevada 89521-2968
 Ph. (775) 852-2288
 Fax (775) 852-3888
 email: Gerald@jeneng.com
 web: www.jeneng.com



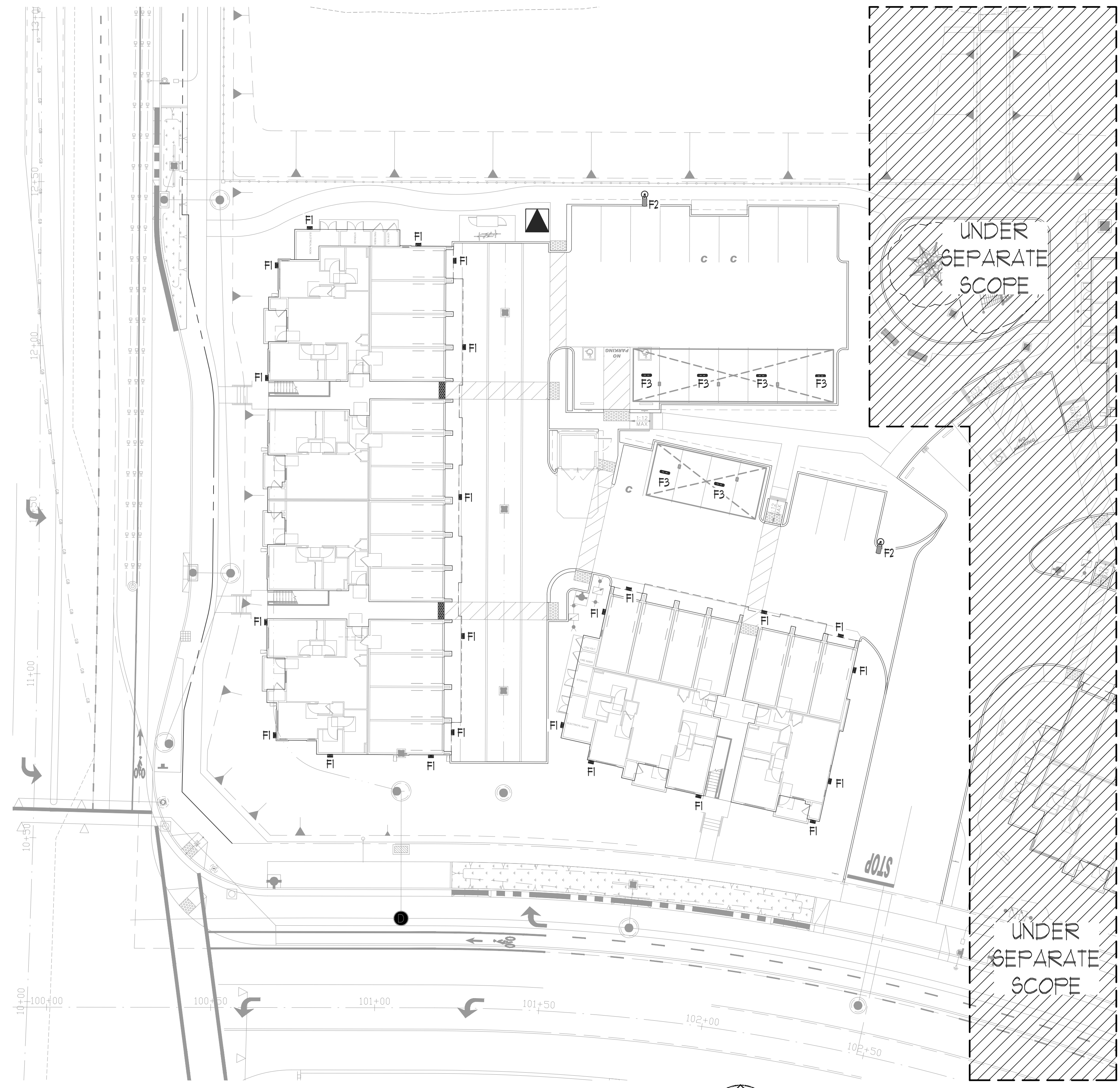
REVISION	DATE	MARK

Project Number
M218M38A

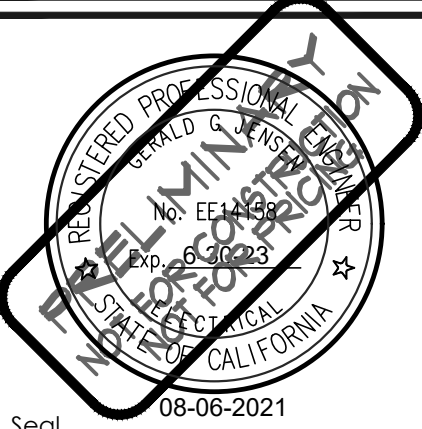
Sheet Name
LIGHTING FIXTURE SCHEDULE AND POLE DETAIL

Sheet Number
E1

38° NORTH PHASE 3
 2660 PETALUMA HILL ROAD
 SANTA ROSA, CA



A SITE LIGHTING PLAN
1" = 30'-0"



Seal 08-06-2021

MARK	DATE	REVISION

38° NORTH PHASE 3
2660 PETALUMA HILL ROAD
SANTA ROSA, CA

Project Number
M218M38A

Sheet Name
SITE LIGHTING PLAN

Sheet Number
E2.1

Description	Avg	Max	Min	Max/Min	Avg/Min
Site Statistics	1.9 fc	12.4 fc	0.0 fc	N/A	N/A



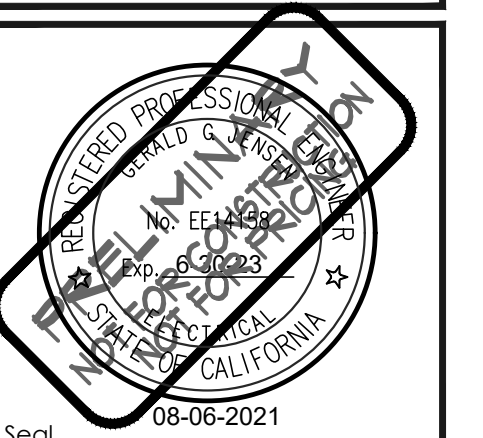
A PARTIAL SITE PHOTOMETRIC PLAN

 1" = 20'-0"

SHEET NOTES: (THIS SHEET ONLY)

- ① PHOTOMETRIC CALCULATION PREPARED USING VISUAL 2011 SOFTWARE AND INDICATES AVERAGE-MAINTAINED FOOT-CANDLES. NO CONTRIBUTIONS FROM ADJACENT EXISTING LIGHTING OR AMBIENT LIGHTING CONSIDERED.

JENSEN ENGINEERING INC.
 Electrical Engineers
 Reno, Nevada 89521-2968
 Ph. (775) 852-2288 Fax (775) 852-3388
 email: Gerard@jeneng.com web: www.jeneng.com



REVISION	DATE	MARK	DESCRIPTION

DATE	MARK	DESCRIPTION

--

38° NORTH PHASE 3
 2660 PETALUMA HILL ROAD
 SANTA ROSA, CA

Project Number
M218M38A

Sheet Name
SITE PHOTOMETRIC PLAN

Sheet Number
E3.1



FEATURES & SPECIFICATIONS

VIEWED 65° - A general purpose and energy efficient surface mounted or suspended LED fixture, suitable for wet, damp and/or cold locations. For vapor-tight demanding environments where moisture or dust is a concern...

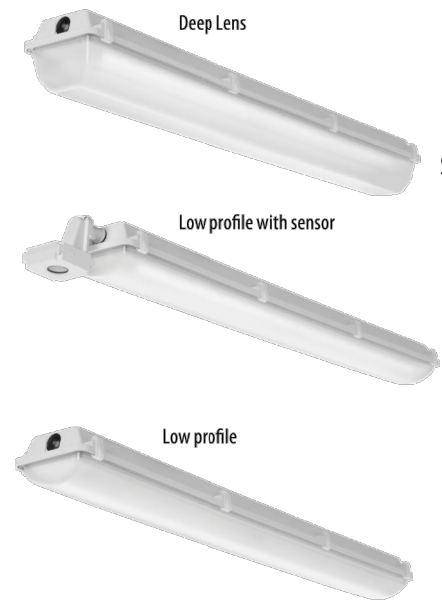
CONSTRUCTION - One-piece 5VA fiberglass housing with integral perimeter channel utilizing continuous poured-in-place NEMA 4X gasket. Approved as a wireway and for through wiring...

ELECTRICAL - Utilizes high-efficiency LEDs mounted to core circuit boards. High-efficiency drivers operate 120-277 (MVOLT) and 347-480 (HVOLT) offered with 0-10% dimming...

Grids Number, Notes, Type: F3

Low-Profile Enclosed and Gasketed Industrial

FEM LED



SURFACE/SUSPENDED/WALL MOUNT



Buy American logo

Stock configurations are offered for shorter lead times. Table with Standard Part Number and Stock Part Number.

Capable Luminaire - This item is an A+ capable luminaire, which has been designed and tested to provide consistent color appearance and out-of-the-box control compatibility with simple commissioning...

FEM LED Low-Profile Enclosed and Gasketed

OPERATIONAL DATA (80 CRI*, MD**, MVOLT***)

Large table showing operational data with columns for length, package, input wattage, CCT, and various luminaire types (IMAF, IMAFD, LPAL, LPACL, IMACD, LPACL, LPPL, IMACD, LPACL, LPPL, IMACD, LPACL, LPPL).

*For 80CRI, median beam output by 1% **For 80CRI, median output by 1% ***For MVOLT, median output by 1%

FEM LED Low-Profile Enclosed and Gasketed

A+ Capable option indicated by this color background.

ORDERING INFORMATION Lead time will vary depending on options selected. Consult with your sales representative. Example: FEM L48 4000LM IMAF MD MVOLT GZ10 40K 80CRI

Main specification table for FEM LED with columns for Series, Length, Nominal Lumens, Diffuser, Distribution, Voltage, Driver, Color temperature, and CRI.

Options table listing Emergency, BEGWCP, BCTD, Other Options, and Core Sets with corresponding restrictions.

NOTE: # indicates option chosen has ordering restrictions. Please reference ordering restrictions chart, page 3. Options are sorted alphabetically.

Accessories table listing MHCH36, MHK120, MHK2055, BK1 T10BT W/P/ULU, FEMPMBS, FEMAWKBT, and FEMGBM.

See Accessories and ordering restrictions on next page.

FEM LED Low-Profile Enclosed and Gasketed

CSA LISTED AMBIENT RATING*

Table showing ambient ratings for different luminaire types (L24, L48, L96) and temperatures (5°C, 25°C, 35°C).

*Minimum Ambient is 30°C unless noted. **All options are specifically listed in this table are considered standard.

HVOLT SCALE FACTOR

Table showing HVolt scale factor for various package types (2000LM, 3000LM, 4000LM, etc.).

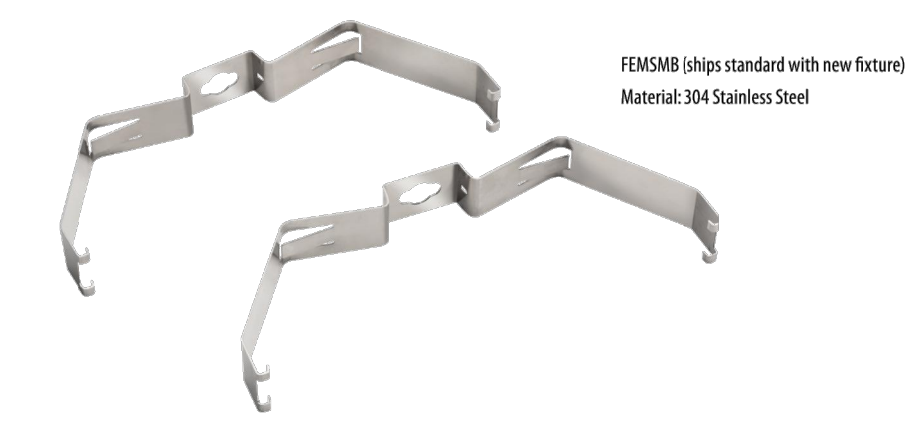
CONFIGURATION WEIGHTS

Table showing configuration weights for different lengths (L24, L48, L96) and options (Standard, w/Sensor, w/Battery).

FEM LED Low-Profile Enclosed and Gasketed

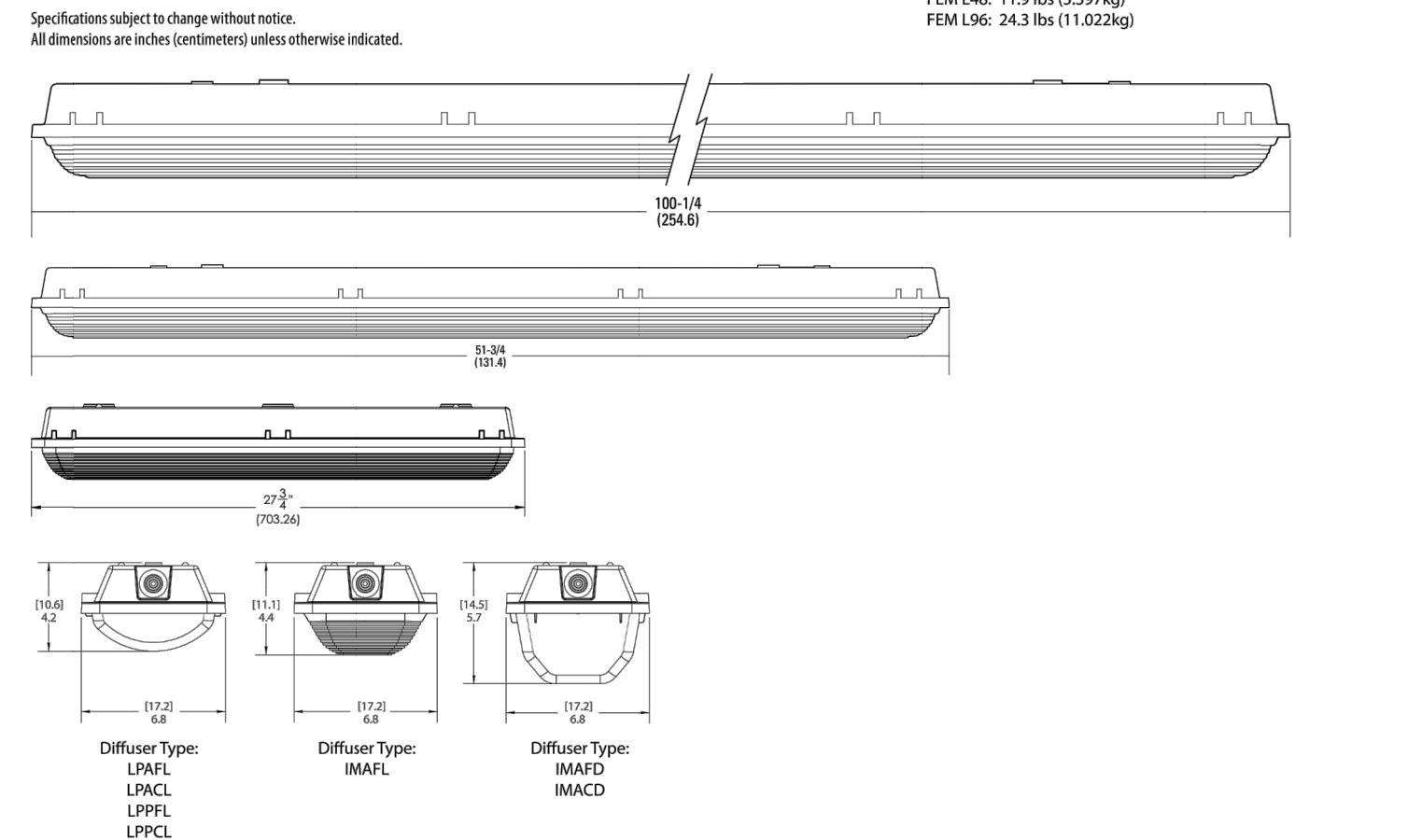
Option Value Ordering Restrictions table listing various options and their corresponding restrictions.

MOUNTING OPTIONS



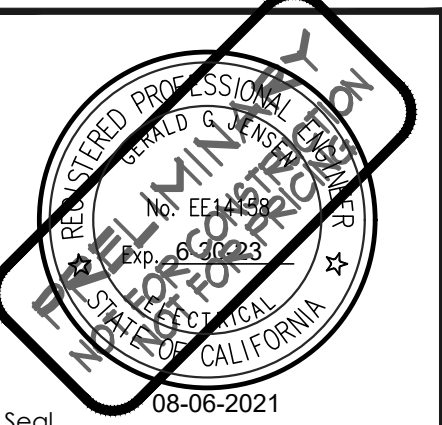
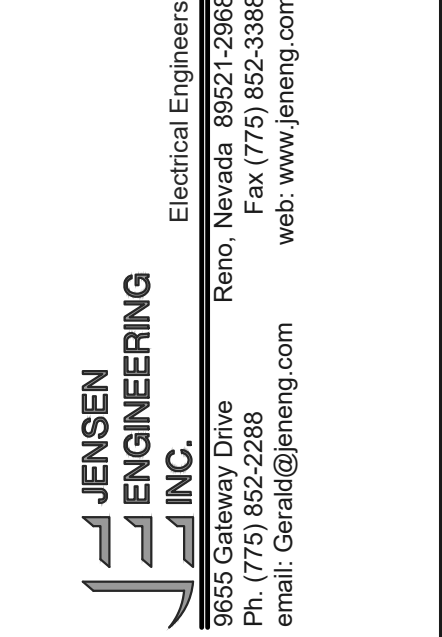
FEM LED Low-Profile Enclosed and Gasketed

DIMENSIONS



PHOTOMETRICS

See www.lithonia.com for photometry reports.



Revision table with columns for Revision, Date, and Mark.

38° NORTH PHASE 3 2660 PETALUMA HILL ROAD SANTA ROSA, CA

Project Number M218M38A

Sheet Name PROPOSED LIGHTING CUTSHEETS

Sheet Number E4.3

E4.3