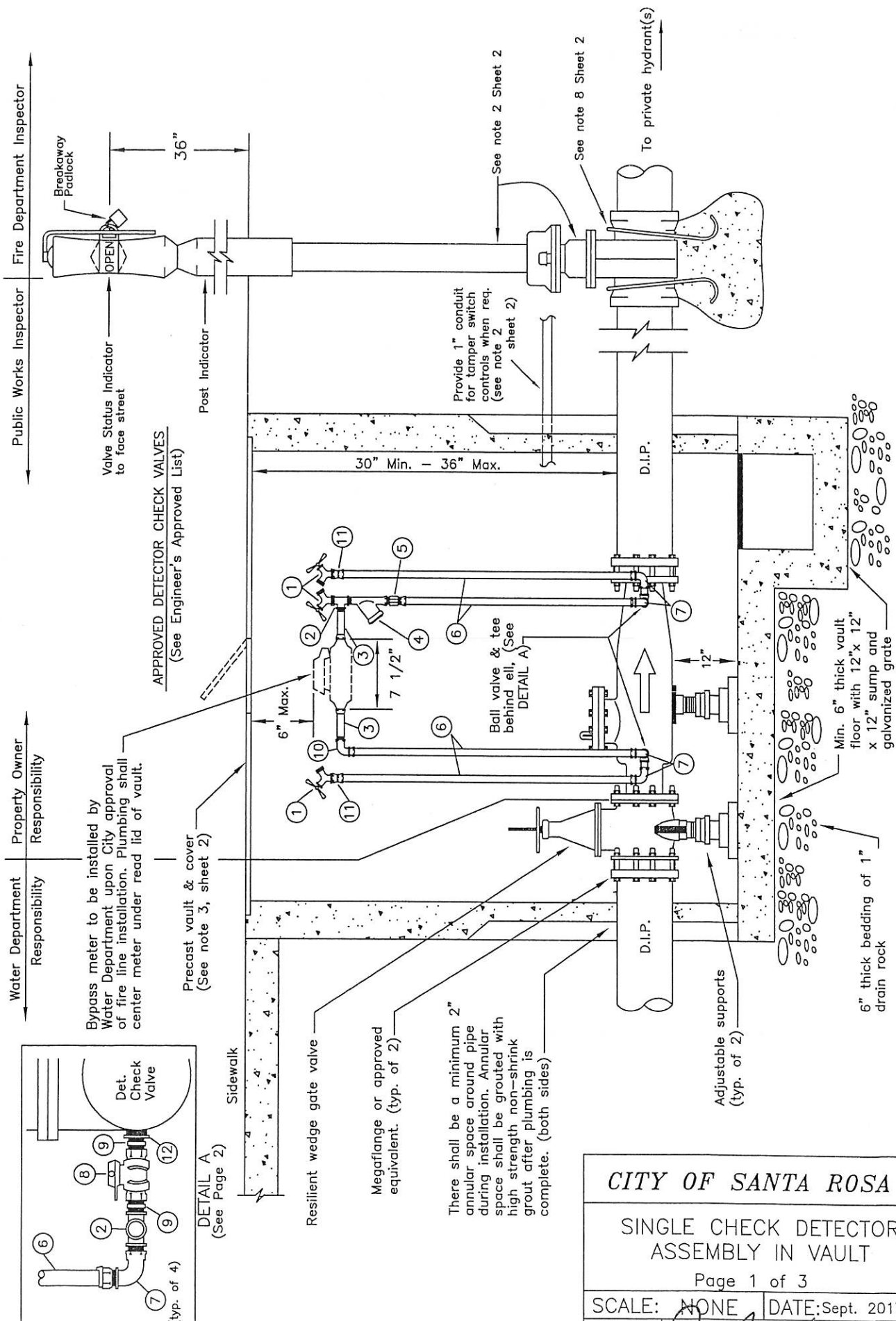


THIS STANDARD ONLY TO BE USED UPON APPROVAL FROM THE DIRECTOR OF SANTA ROSA WATER



Bypass meter to be installed by Water Department upon City approval of fire line installation. Plumbing shall center meter under read lid of vault.

APPROVED DETECTOR CHECK VALVES
(See Engineer's Approved List)

Precast vault & cover
(See note 3, sheet 2)

Sidewalk

DETAIL A
(See Page 2)

Resilient wedge gate valve

Megaflange or approved equivalent. (typ. of 2)

There shall be a minimum 2" annular space around pipe during installation. Annular space shall be grouted with high strength non-shrink grout after plumbing is complete. (both sides)

Adjustable supports
(typ. of 2)

6" thick bedding of 1" drain rock

Min. 6" thick vault floor with 12" x 12" x 12" sump and galvanized grate

Provide 1" conduit for tamper switch controls when req. (see note 2, sheet 2)

See note 2 Sheet 2

See note 8 Sheet 2

To private hydrant(s)

Water Department Responsibility
Property Owner Responsibility
Public Works Inspector
Fire Department Inspector

Breakaway Padlock


Valve Status Indicator to face street

Post Indicator

30" Min. - 36" Max.

6" Max.

7 1/2"

CITY OF SANTA ROSA	
SINGLE CHECK DETECTOR ASSEMBLY IN VAULT	
Page 1 of 3	
SCALE: NONE	DATE: Sept. 2017
DWN:GC DK CHK: RS	APPROVED 
	FILE NO. STD.- 888

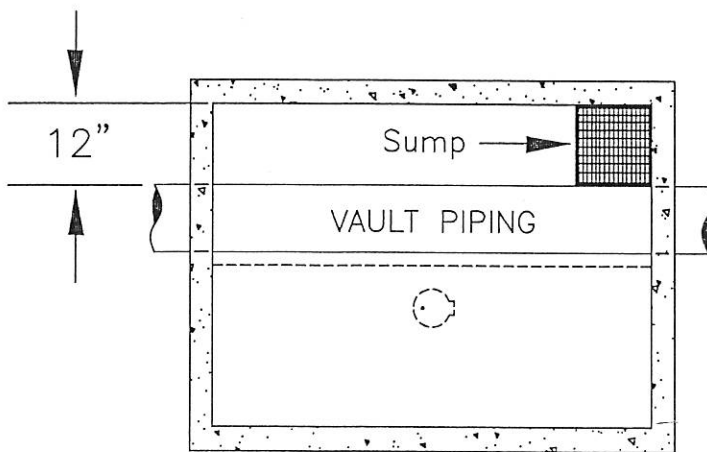
BY-PASS PARTS LIST

NO.	DESCRIPTION	QUANTITY
1.	3/4" BRASS MALE HOSE BIB	3
2.	3/4" BRASS TEE - FIP x FIP x FIP	3
3.	3/4" BRASS MTR SPUD - LENGTH AS NEEDED	2
4.	3/4" BRASS MIP INLET X FIP OUTLET STRAIGHT CHK. VALVE	1
5.	3/4" BRASS MIP X COMP. COUPLING	1
6.	3/4" TYPE "K" SOFT TEMPER COPPER	AS NEEDED
7.	3/4" BRASS COMP. X MIP 90° ELL	4
8.	3/4" BRASS FIP X FIP STRAIGHT BALL VALVE	2
9.	3/4" BRASS HEX HEAD CLOSE NIPPLE	4
10.	3/4" BRASS COMP. X FIP 90° ELL	1
11.	3/4" BRASS COMP x FIP COUPLING	2
12.	DEVICE PENETRATION Ø X 3/4" BRASS BUSHING	2

* All material shall comply with California Health and Safety Code Section 116875

NOTES

- Single check detector installation per Standard 888 requires prior authorization by the Director of Santa Rosa Water. Authorization shall only be provided when, in the opinion of the Engineer, above ground installation, per Standard 879 is not possible due to site constraints.
- The post indicator and valve shall be installed as approved by the Fire Department. The installation shall be provided with electronic supervision monitoring when required by the Fire Department. Any adjustments to this standard must be first approved, in writing, by both the Fire and Water Departments.
- Refer to vault size chart for proper size. Should a property side O.S. & Y. valve be required inside the vault the vault length shall increase by an additional 12" for 4" & 6" installations, and 18" for 8" and 12" installations. The Contractor shall notify the Engineer if additional clearances appear to be warranted. See the engineer's approved list for approved vaults and covers. Pipe penetrations in vault shall be offset to allow 12" clearance from edge of device to edge of vault wall on side opposite of bypass.
- All fire line services, to the post indicator valve, shall be tested by the Public Works Inspector per City of Santa Rosa Water Distribution Specifications. All onsite fire line appurtenances, including, the post indicator valve and hydrants, shall be inspected and tested by the City of Santa Rosa Fire Department per City Fire Code.
- Where, in the opinion of the Water Department, there's potential for a higher level of hazard to exist on any fire service, the service shall be installed per City Standard 880.
- The fire department connection (FDC) shall be installed and located as required by the Fire Department.
- Post indicator valves shall be locked with a breakaway lock. The post indicator valve status indicator shall not be less than 36" above finished grade.
- Valve shall be tied down with Fire Department approved rods and concrete blocking. See table on STD-851 for rod and block sizes. 4" valves shall sized the same as a 6".



**VAULT PIPING LAYOUT
PLAN VIEW**

VAULT (inside) DIMENSIONS		
S.D.C. SIZE	WIDTH	LENGTH
4"	4'	6'
6"	4'	6'
8"	5'	7'
10"	5'	7'

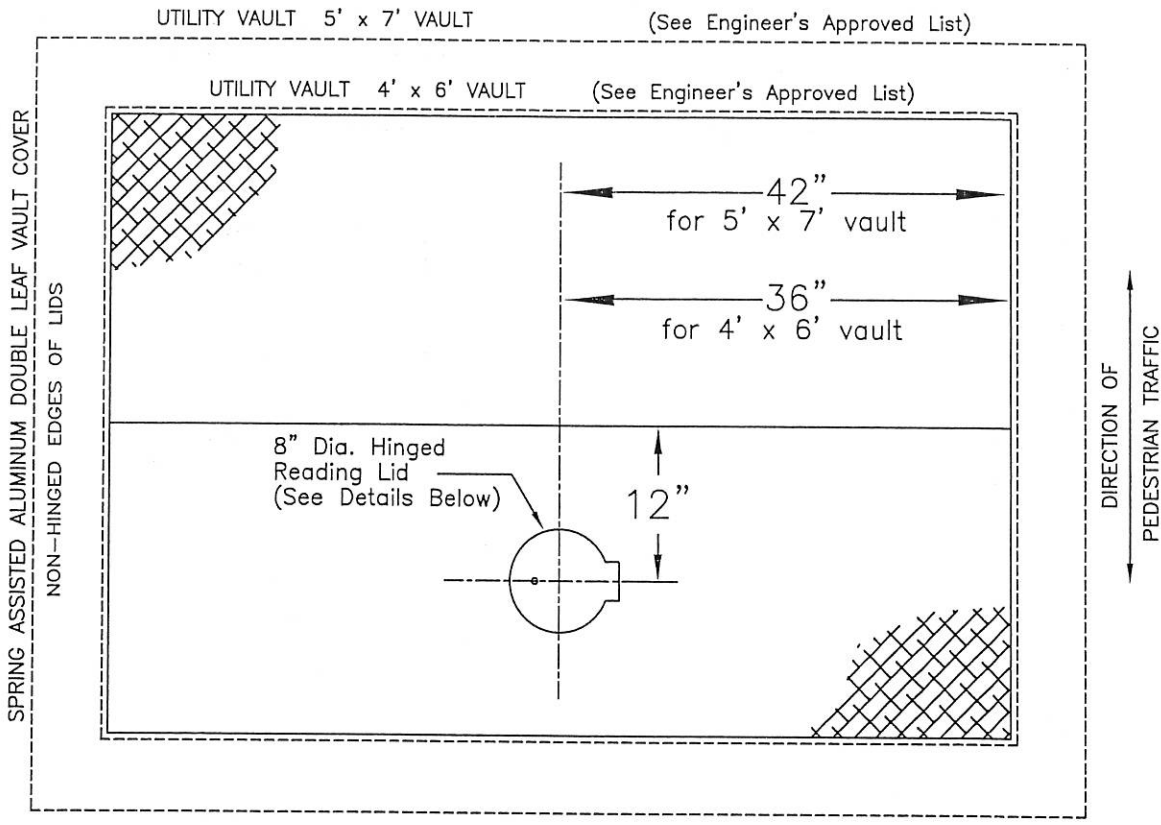
CITY OF SANTA ROSA

**SINGLE CHECK DETECTOR
ASSEMBLY IN VAULT**

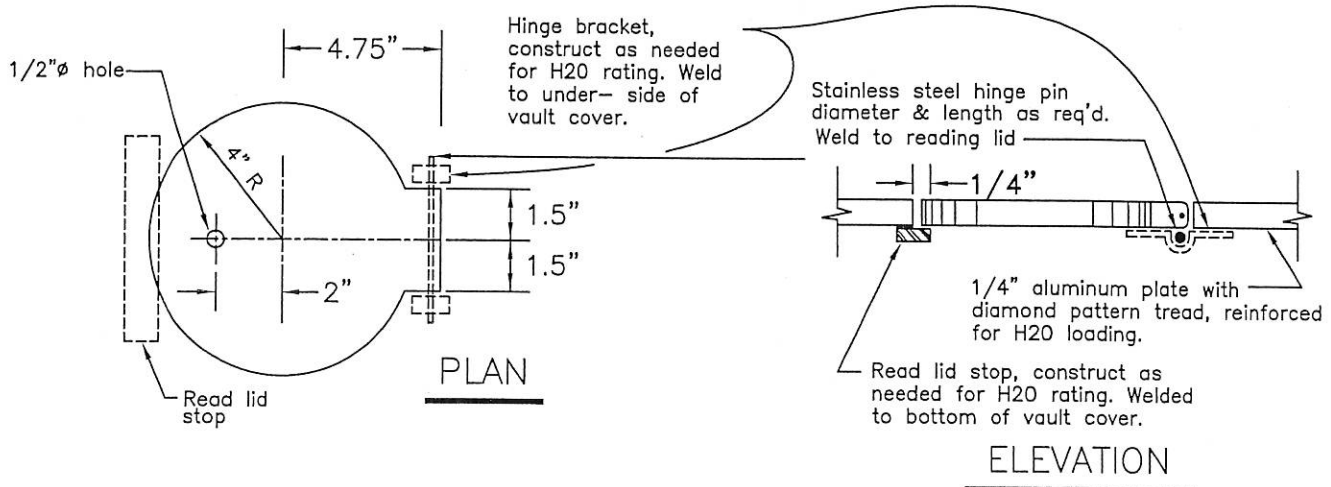
Page 2 of 3

SCALE: NONE DATE: Sept. 2017

DWN:GC DK APPROVED
CHK: RS *[Signature]* FILE NO. STD.- 888



VAULT PLAN



READING LID DETAILS

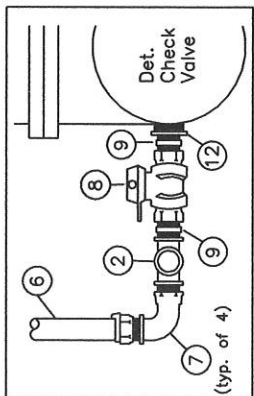
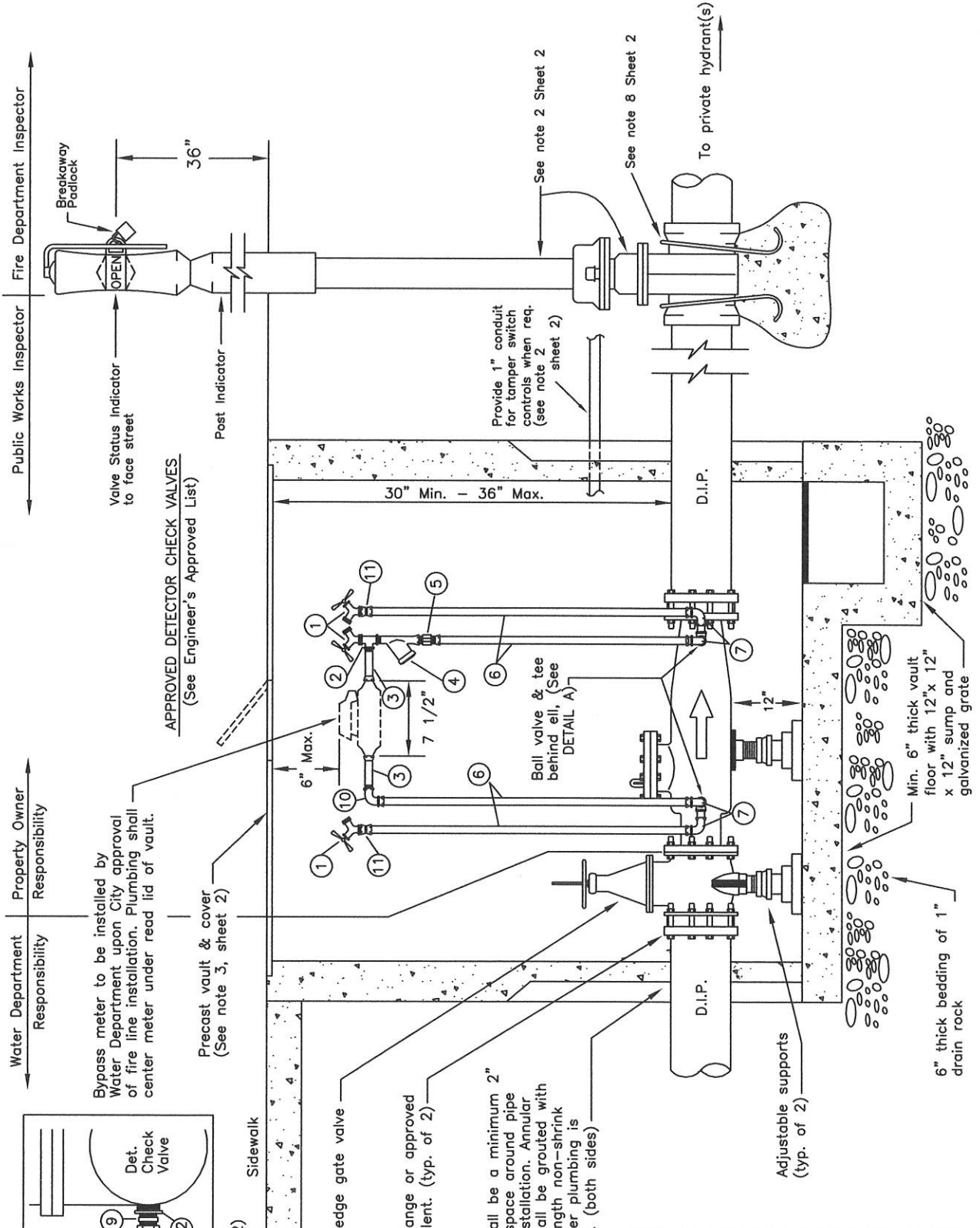
NOTES

N.T.S.

1. By-pass meter shall be plumbed to center under reading lid. Read lid may be replaced with Automatic Meter Reading probe mount at the direction of the Water Department.
2. Vault cover shall have extruded aluminum channel frame with bend down anchor tabs around perimeter. Hinges shall be heavy forged type 316 stainless steel. Cover shall have a type 316 stainless steel "slam-lock" type latch with fixed interior handle and a removable exterior handle and mechanism to automatically lock doors in the open position. Latch release shall be protected by a flush removable screw plug.
3. Vault cover shall be AASHTO H20 compliant, and have a "non-skid" surface.

CITY OF SANTA ROSA	
SINGLE CHECK DETECTOR ASSEMBLY IN VAULT	
Page 3 of 3	
SCALE: NONE	DATE: Sept. 2017
DWN:GC DK	APPROVED
CHK: RS	FILE NO. STD.- 888

THIS STANDARD ONLY TO BE USED UPON APPROVAL FROM THE DIRECTOR OF SANTA ROSA WATER



Bypass meter to be installed by Water Department upon City approval of fire line installation. Plumbing shall center meter under read lid of vault.

APPROVED DETECTOR CHECK VALVES
(See Engineer's Approved List)

Precast vault & cover
(See note 3, sheet 2)

Sidewalk

Resilient wedge gate valve

Megaflange or approved equivalent. (typ. of 2)

There shall be a minimum 2" annular space around pipe during installation. Annular space shall be grouted with high strength non-shrink grout after plumbing is complete. (both sides)

Adjustable supports
(typ. of 2)

6" thick bedding of 1" drain rock

Min. 6" thick vault floor with 12"x 12" x 12" sump and galvanized grate

CITY OF SANTA ROSA

SINGLE CHECK DETECTOR ASSEMBLY IN VAULT

Page 1 of 3

SCALE: NONE DATE: Sept. 2017

DWN:GC DK
CHK: RS

APPROVED

FILE NO.
STD. - 879

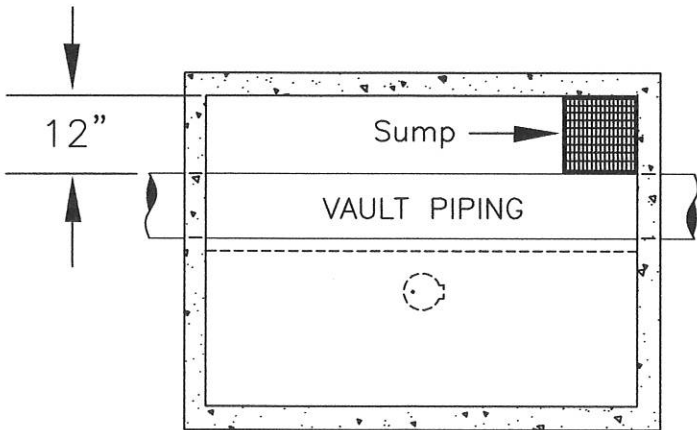
BY-PASS PARTS LIST

NO.	DESCRIPTION	QUANTITY
1.	3/4" BRASS MALE HOSE BIB	3
2.	3/4" BRASS TEE - FIP x FIP x FIP	3
3.	3/4" BRASS MTR SPUD - LENGTH AS NEEDED	2
4.	3/4" BRASS MIP INLET X FIP OUTLET STRAIGHT CHK. VALVE	1
5.	3/4" BRASS MIP X COMP. COUPLING	1
6.	3/4" TYPE "K" SOFT TEMPER COPPER	AS NEEDED
7.	3/4" BRASS COMP. X MIP 90° ELL	4
8.	3/4" BRASS FIP X FIP STRAIGHT BALL VALVE	2
9.	3/4" BRASS HEX HEAD CLOSE NIPPLE	4
10.	3/4" BRASS COMP. X FIP 90° ELL	1
11.	3/4" BRASS COMP x FIP COUPLING	2
12.	DEVICE PENETRATION Ø X 3/4" BRASS BUSHING	2

* All material shall comply with California Health and Safety Code Section 116875

NOTES

1. Single check detector installation per Standard 879 requires prior authorization by the Director of Santa Rosa Water. Authorization shall only be provided when, in the opinion of the Engineer, above ground installation, per Standard 888 is not possible due to site constraints.
2. The post indicator and valve shall be installed as approved by the Fire Department. The installation shall be provided with electronic supervision monitoring when required by the Fire Department. Any adjustments to this standard must be first approved, in writing, by both the Fire and Water Departments.
3. Refer to vault size chart for proper size. Should a property side O.S. & Y. valve be required inside the vault the vault length shall increase by an additional 12" for 4" & 6" installations, and 18" for 8" and 12" installations. The Contractor shall notify the Engineer if additional clearances appear to be warranted. See the engineer's approved list for approved vaults and covers. Pipe penetrations in vault shall be offset to allow 12" clearance from edge of device to edge of vault wall on side opposite of bypass.
4. All fire line services, to the post indicator valve, shall be tested by the Public Works Inspector per City of Santa Rosa Water Distribution Specifications. All onsite fire line appurtenances, including, the post indicator valve and hydrants, shall be inspected and tested by the City of Santa Rosa Fire Department per City Fire Code.
5. Where, in the opinion of the Water Department, there's potential for a higher level of hazard to exist on any fire service, the service shall be installed per City Standard 880.
6. The fire department connection (FDC) shall be installed and located as required by the Fire Department.
7. Post indicator valves shall be locked with a breakaway lock. The post indicator valve status indicator shall not be less than 36" above finished grade.
8. Valve shall be tied down with Fire Department approved rods and concrete blocking. See table on STD-851 for rod and block sizes. 4" valves shall sized the same as a 6".



**VAULT PIPING LAYOUT
PLAN VIEW**

VAULT (inside) DIMENSIONS		
S.D.C. SIZE	WIDTH	LENGTH
4"	4'	6'
6"	4'	6'
8"	5'	7'
10"	5'	7'

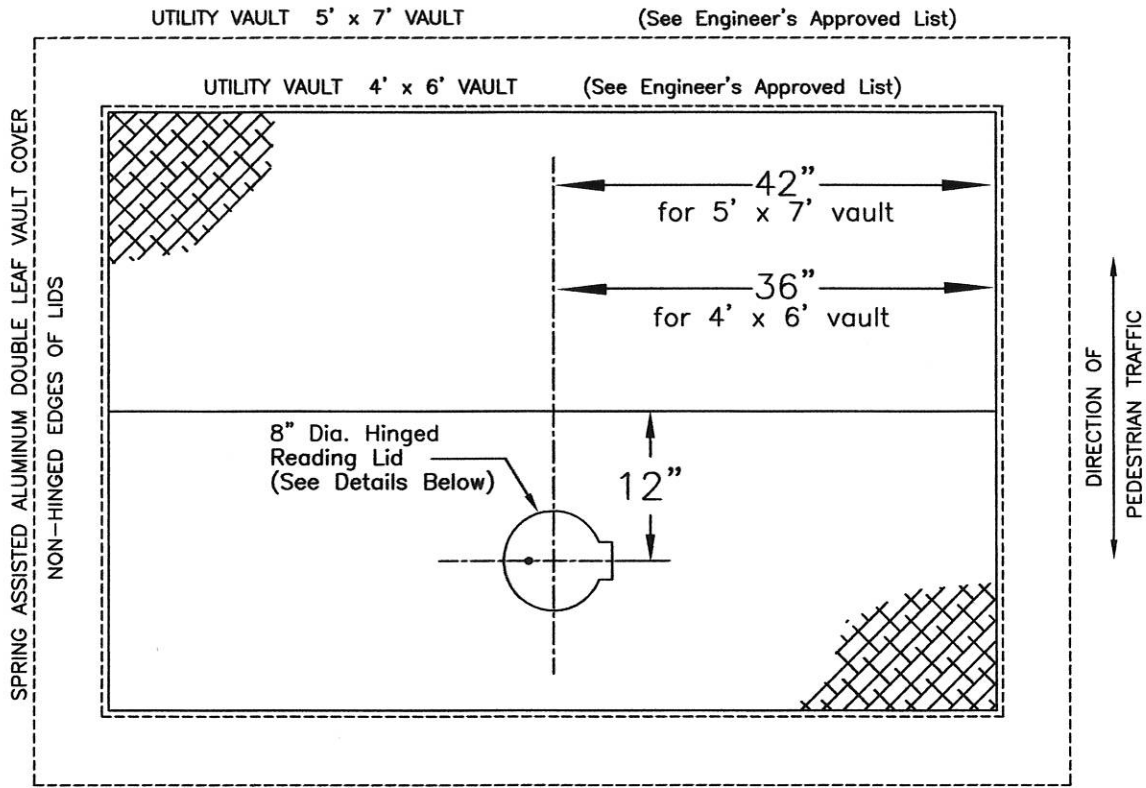
CITY OF SANTA ROSA

**SINGLE CHECK DETECTOR
ASSEMBLY IN VAULT**

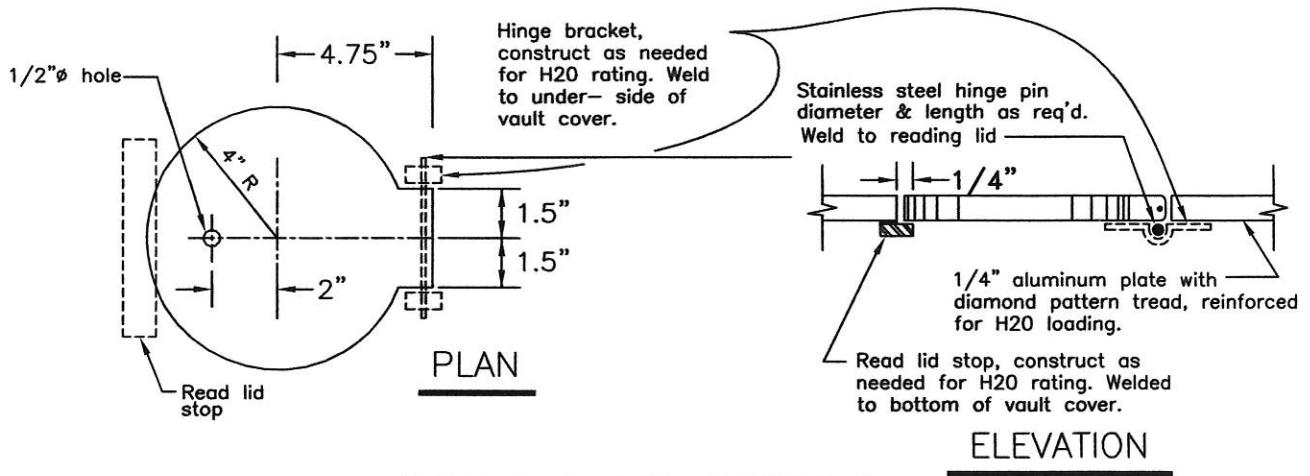
Page 2 of 3

SCALE: NONE DATE: Sept. 2017

DWN:GC DK CHK: RS	APPROVED	FILE NO. STD.- 879
----------------------	----------	-----------------------



VAULT PLAN



READING LID DETAILS

N.T.S.

NOTES

1. By-pass meter shall be plumbed to center under reading lid. Read lid may be replaced with Automatic Meter Reading probe mount at the direction of the Water Department.
2. Vault cover shall have extruded aluminum channel frame with bend down anchor tabs around perimeter. Hinges shall be heavy forged type 316 stainless steel. Cover shall have a type 316 stainless steel "slam-lock" type latch with fixed interior handle and a removable exterior handle and mechanism to automatically lock doors in the open position. Latch release shall be protected by a flush removable screw plug.
3. Vault cover shall be AASHTO H20 compliant, and have a "non-skid" surface.

CITY OF SANTA ROSA

SINGLE CHECK DETECTOR
ASSEMBLY IN VAULT

Page 3 of 3

SCALE: NONE DATE: Sept. 2017

DWN:GC DK
CHK: RS

APPROVED

FILE NO.
STD.-879