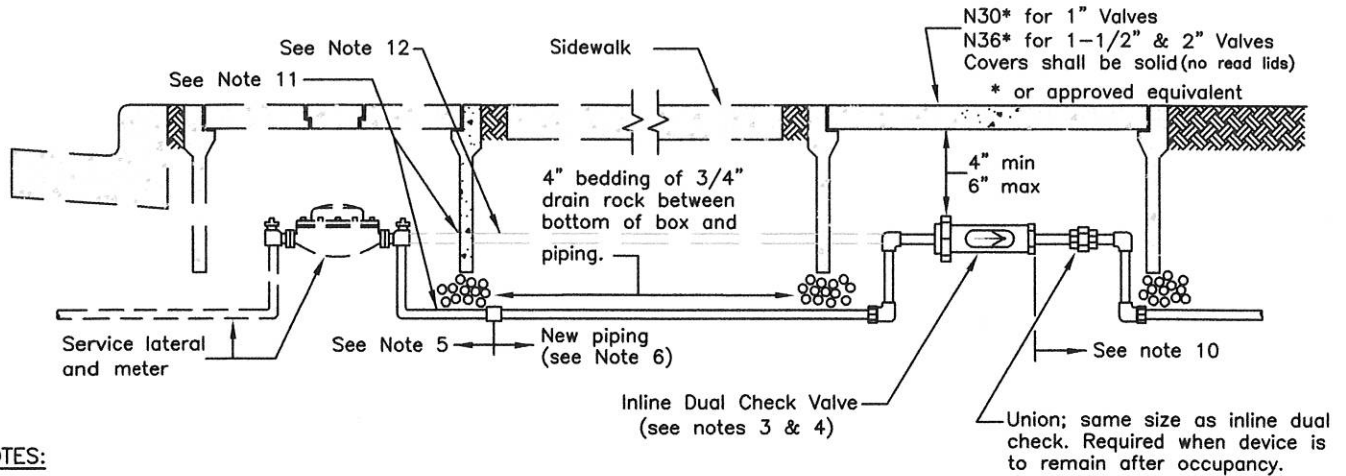


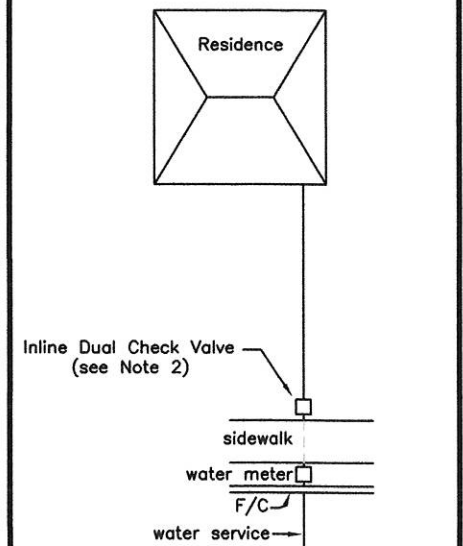
ATTACHMENT 12



NOTES:

1. In circumstances where existing piping meets fire suppression needs, new piping is not required.
2. This City standard applies to residential connections where residential fire sprinkler systems are installed. Where residential fire sprinkler systems are fully looped without dead ends, designed to circulate water with the domestic systems and approved by Santa Rosa Fire, no backflow device is required at occupancy. Backflow protection is still required for water to be provided to property during construction.
3. Inline dual check valves shall be installed adjacent to and on the property side of the sidewalk where applicable. Where no sidewalk exists, the inline dual check valve shall be installed as close as possible to the water meter location. Any conflicts shall be resolved by the City Water Department.
4. Inline dual check valves shall meet ASSE 1024 standards and shall be equipped with an upstream union and F.I.P. connections on both ends. Although a 1" inline dual check valve is required as a minimum size, the City may require the installation of a larger device for specific installations. No 3/4" valves with 1" connections will be accepted. All proposed valves and installation material shall be submitted to the Water Department for review. Device shall be installed so the serial number faces up at the 12 o'clock position.
5. Piping shall be same size as the water meter. New piping, if required, shall be type "L" or "K" hard temper copper and/or threaded brass. Where existing piping is PVC, it shall be replaced as specified and in compliance with California Plumbing Code and all applicable City Standards. New PVC tubing and/or fittings are not allowed.
6. New piping shall be "same size as inline dual check valve" type "L" or "K" hard temper copper and/or threaded brass. Connection to piping, as specified in note 5 above, shall take place behind and outside of the water meter box unless the surface above this location is concrete. Where concrete planter strip and/or sidewalk is present, the connection shall take place on the horizontal portion of the service line inside the meter box. Connections at any other location must be approved by the Water Department and every effort shall take place to avoid joints below concrete surfaces. Where the meter and inline dual check valve is the same size and all piping must be replaced, this connection is not required. Compression fittings may only be used on piping to be buried and/or to connect property side tubing to back of downstream union. New PVC tubing and/or fittings are not allowed. New installation shall be in compliance with California Plumbing Code and all applicable City Standards.
7. All new piping shall be lead free per existing City Standards.
8. Allowable connection types are; sweat, compression, threaded, propress and glued, per applicable pipe material.
9. The assembly, including union when required, shall be centered in the box.
10. Materials and installation of new piping shall be in compliance with California Plumbing Code.
11. Where new piping must start from inside of meter box, or whenever a new water meter box is installed, piping shall be lowered to pass under the box as shown. New water meter boxes shall not have manufactured "mouse holes", or their walls breached in any manner for piping installation.
12. When the existing service line, regardless of material, is shallow and breaches the wall of the water meter box but the box is not being replaced, the existing service line may be allowed to remain up to the connection point of the new backflow device. Please note that there could be specific conditions that may still require the replacement of the existing service line
13. If damage occurs to a water meter box during construction the box shall be replaced. If an existing water meter box is damaged, the box shall be replaced and new piping shall be installed per note 11.

Fire Line Connection Details



This alternate installation allows the connection of the fire line to the domestic supply line with an inline dual check valve near the water meter. The check valve must be readily accessible.

DRAFT

CITY OF SANTA ROSA

FOR PROPERTIES AFFECTED BY THE TUBBS-ADOBE FIRE ONLY

RESIDENTIAL FIRE LINE
BELOW GROUND
INLINE DUAL CHECK VALVE
BACKFLOW DEVICE

SCALE: NONE	DATE:	
DWN: DK	APPROVED	FILE NO.
CHK: CL MS		STD.- 875F