

# TESLA



**Signtech™**

4444 Federal Blvd. San Diego CA 92102  
 Phone: (619) 527-6100 / Fax: (619) 527-6111  
 signtech.com



**Tesla**  
 3268 Airway Dr  
 Santa Rosa, CA 95403 USA

Initial Date: 05/10/22  
 Salesperson: Melissa Saltsgaver  
 Coordinator: Emily D. Blaisdell  
 Designer: Mlozano  
 Scale: As Noted

**CUSTOMER APPROVAL**

Customer Signature \_\_\_\_\_ Date \_\_\_\_\_  
**COPY, COLORS & SIZES**

Signtech does NOT provide primary electrical to sign location -  
**RESPONSIBILITY OF OTHERS!**

Customer Signature \_\_\_\_\_ Date \_\_\_\_\_

This design is the exclusive property of Signtech and cannot be reproduced in whole or in part, without their prior written approval.

Drawing Number: 22-00872

Quote: ----

Project ID: TESLA\_20080\_1

Page No. 1 R2:10/31/22

**PROJECT DIRECTORY**

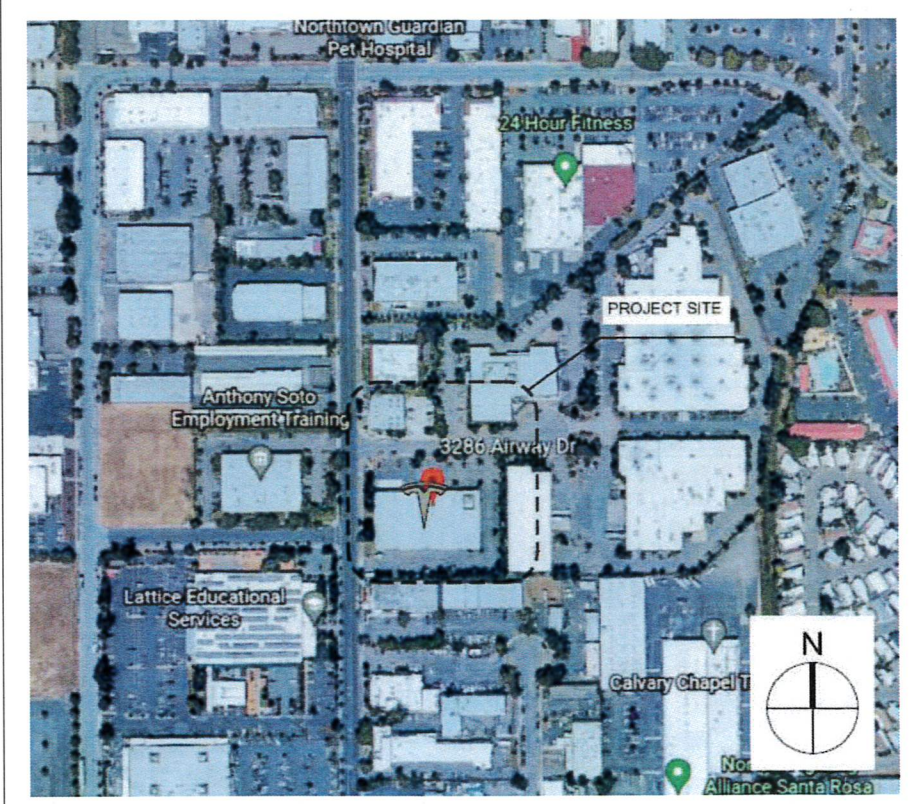
**TENANT**  
 TESLA, INC.  
 901 PAGE AVENUE  
 FREMONT, CA 94538  
  
 NAME: FABIOLA LOZOYA  
 ARCHITECTURAL MANAGER  
 E: FALOZOYA@TESLA.COM

PM NAME: HEATHER WILLIAMSON  
 CONSTRUCTION PROJECT MANAGER  
 E: HWILLIAMSON@TESLA.COM

**ARCHITECT OF RECORD**  
 COMPANY NAME: ARCVISION, INC.  
 ADDRESS: 1950 CRAIG RD, SUITE 300  
 CITY, STATE ZIP: ST. LOUIS, MO 63146  
 T:636.426.0618  
 E:FGOGLIA@ARCV.COM  
 CONTACT: NAME  
 SIGNING ARCHITECT: FREDRICK J. GOGLIA

**LANDLORD**  
 COMPANY NAME: TURO PARTNERS  
 ADDRESS: 1037 CHURCH ST  
 CITY, STATE ZIP: SAN FRANCISCO, CA 94114  
 T:415.347.8343  
 E:WMARKS@TUROPARTNERS.COM  
 CONTACT: NAME WILL MARKS

**VICINITY MAP**



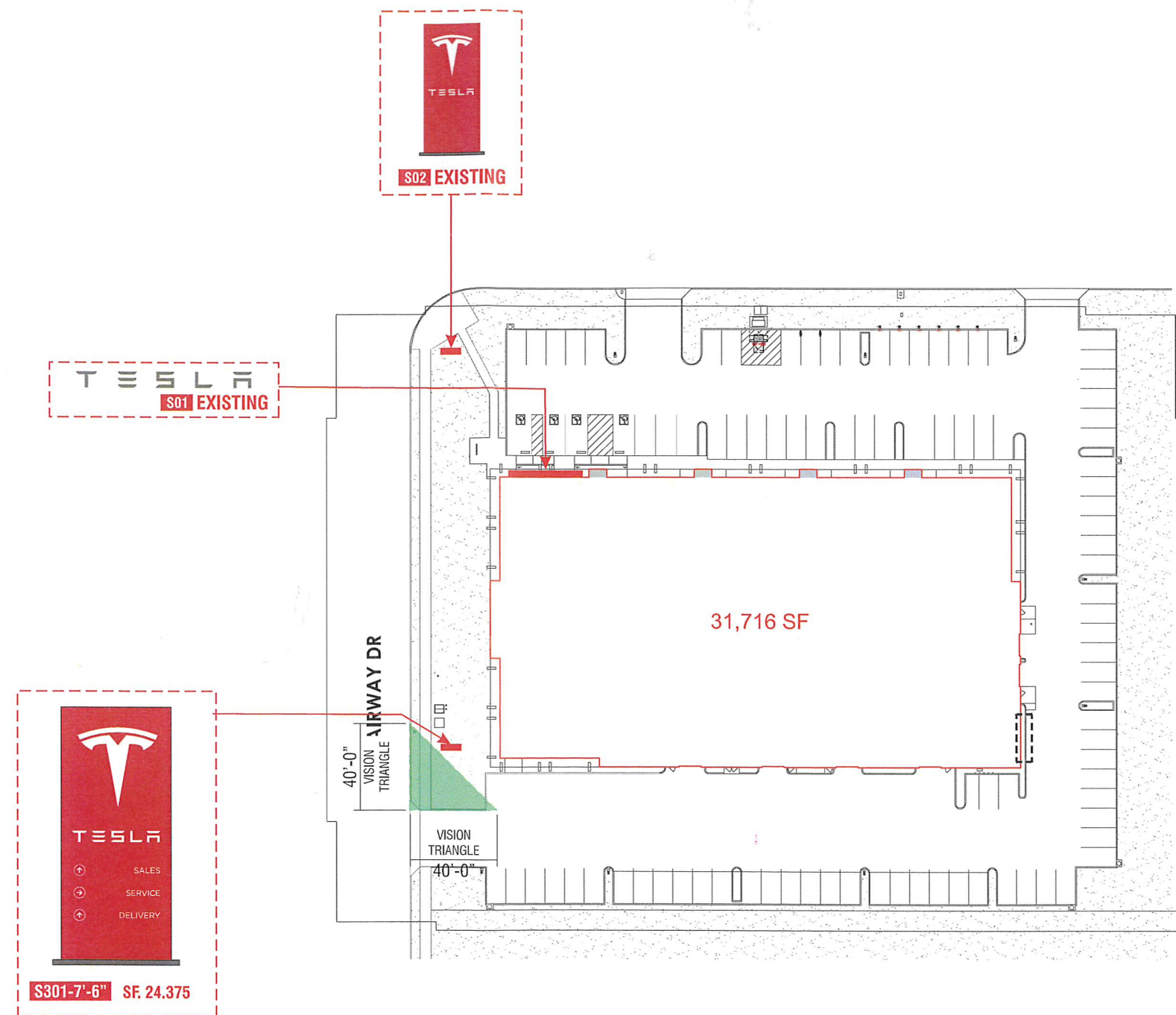
**KEY PLAN**

City of Santa Rosa  
**JAN 04 2023**  
 Planning & Economic  
 Development Department



EXISTING SIGNAGE		
SIGN #	EXISTING SIGNS	SF
S01-30"	LETTERSET	61.48
S02-90"	MONUMENT	24.375

NEW SIGNAGE		
SIGN #	PROPOSED SIGNS	SF
S301-90"	MONUMENT	24.375



**Signtech™**

4444 Federal Blvd. San Diego CA 92102  
 Phone: (619) 527-6100 / Fax: (619) 527-6111  
 signtech.com



**Tesla**  
 3268 Airway Dr  
 Santa Rosa, CA 95403 USA

Initial Date: 05/10/22  
 Salesperson: Melissa Saltsgaver  
 Coordinator: Emily D. Blaisdell  
 Designer: Mlozano  
 Scale: As Noted

**CUSTOMER APPROVAL**

Customer Signature \_\_\_\_\_ Date \_\_\_\_\_  
**COPY, COLORS & SIZES**

Signtech does NOT provide primary electrical to sign location -  
**RESPONSIBILITY OF OTHERS!**

Customer Signature \_\_\_\_\_ Date \_\_\_\_\_

This design is the exclusive property of Signtech and cannot be reproduced in whole or in part, without their prior written approval.

Drawing Number: 22-00872

Quote: ----

Project ID: TESLA\_20080\_1

**SITE PLAN SCALE: 1/64" = 1'-0"**





**Signtech™**

4444 Federal Blvd. San Diego CA 92102  
 Phone: (619) 527-6100 / Fax: (619) 527-6111  
 signtech.com



**Tesla**  
 3268 Airway Dr  
 Santa Rosa, CA 95403 USA

Initial Date: 05/10/22  
 Salesperson: Melissa Saltsgaver  
 Coordinator: Emily D. Blaisdell  
 Designer: Mlozano  
 Scale: As Noted

**CUSTOMER APPROVAL**

Customer Signature \_\_\_\_\_ Date \_\_\_\_\_

**COPY, COLORS & SIZES**

Signtech does NOT provide primary electrical to sign location - **RESPONSIBILITY OF OTHERS!**

Customer Signature \_\_\_\_\_ Date \_\_\_\_\_

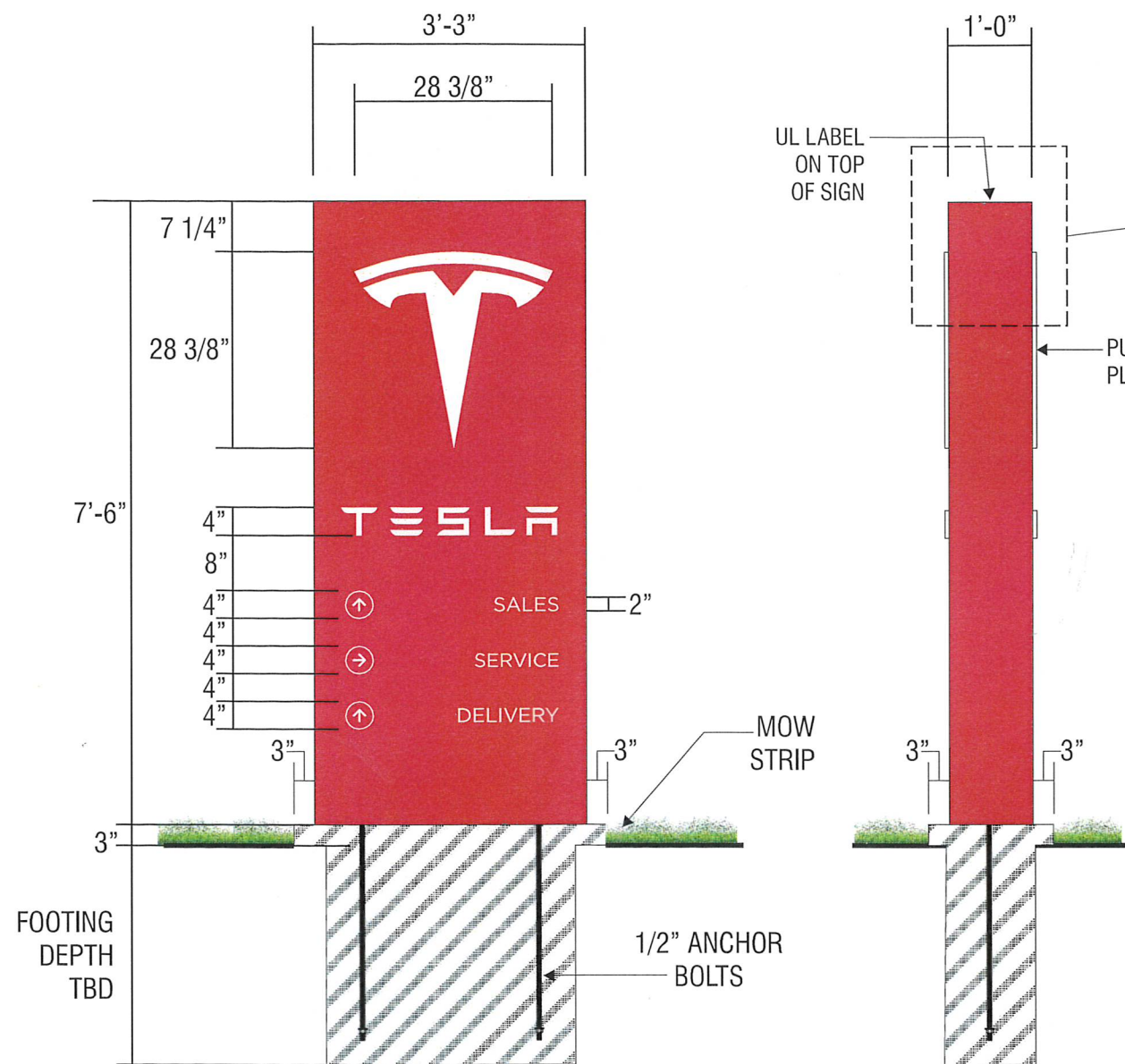
This design is the exclusive property of Signtech and cannot be reproduced in whole or in part, without their prior written approval.

Drawing Number: 22-00872

Quote: ----

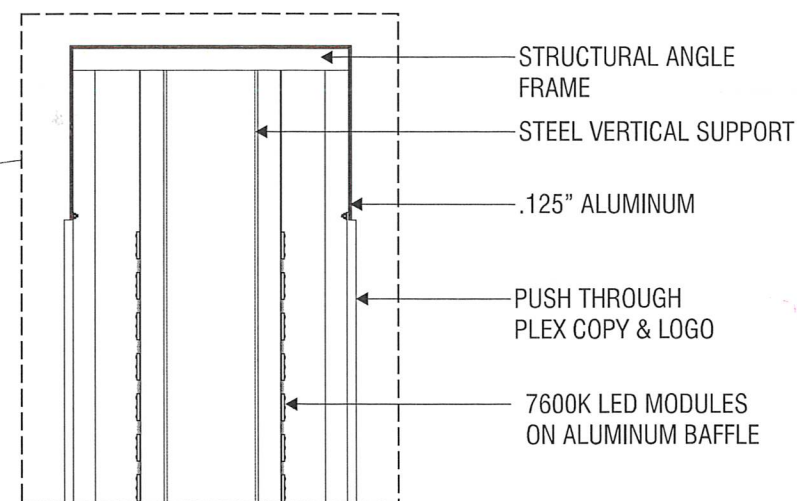
Project ID: TESLA\_20080\_1

Page No. 3 R2:10/31/22



**FRONT VIEW SCALE: 1/2" = 1'-0"**

**END VIEW SCALE: 1/2" = 1'-0"**



**SIGNTYPE S301-7'-6" SF. 24.375**

**MANUFACTURE AND INSTALL ONE (1) D/F INTERNALLY ILLUMINATED MONUMENT SIGN**  
**CABINET:** 1'-6" DEEP FABRICATED ALUMINUM PAINTED MATTHEWS TO MATCH BM 2087-10 NEON RED, SATIN FINISH. INTERNAL STRUCTURE TO CONSIST OF ANGLE FRAMING. MONUMENT TO HAVE REMOVABLE ENDS WITH COUNTERSUNK SCREWS. COUNTERSUNK SCREW HEADS PAINTED TO MATCH BM 2087-10 NEON RED, SATIN FINISH.  
**COPY:** 3/4" CLEAR PLEX W/ HEAVILY SANDBLASTED EDGES, ROUTED OUT OF FACE AND PUSHED THROUGH FACE 1/2". 1ST SURFACE 3M 3630-20 WHITE VINYL / 2ND SURFACE 3M 3636-70 DIFFUSER.  
**SUBCOPY:** 1ST. SURFACE 3M #7725-10 OPAQUE WHITE VINYL  
**ILLUMINATION:** 7600K WHITE LEDS WITH POWER SUPPLIES INSIDE OF SIGN.  
**BAFFLE:** TO HAVE PRE-PAINTED WHITE ALUMINUM BAFFLE WITH LEDS ON EACH SIDE.  
**FOOTING:** CONCRETE FOOTING W/ 1/2" ANCHOR BOLTS AS REQUIRED. ELECTRICAL TO BE PULLED TO SIGN SITE BY OTHERS.  
 MOW STRIP REQUIRED AS PART OF FOOTING TO PREVENT DAMAGE TO SIGN.



BM 2087-10  
 NEON RED  
 PMS 19-1664  
 SATIN FINISH