



US 101 Bicycle & Pedestrian Overcrossing

Presentation to the
Design Review Board
December 1, 2022

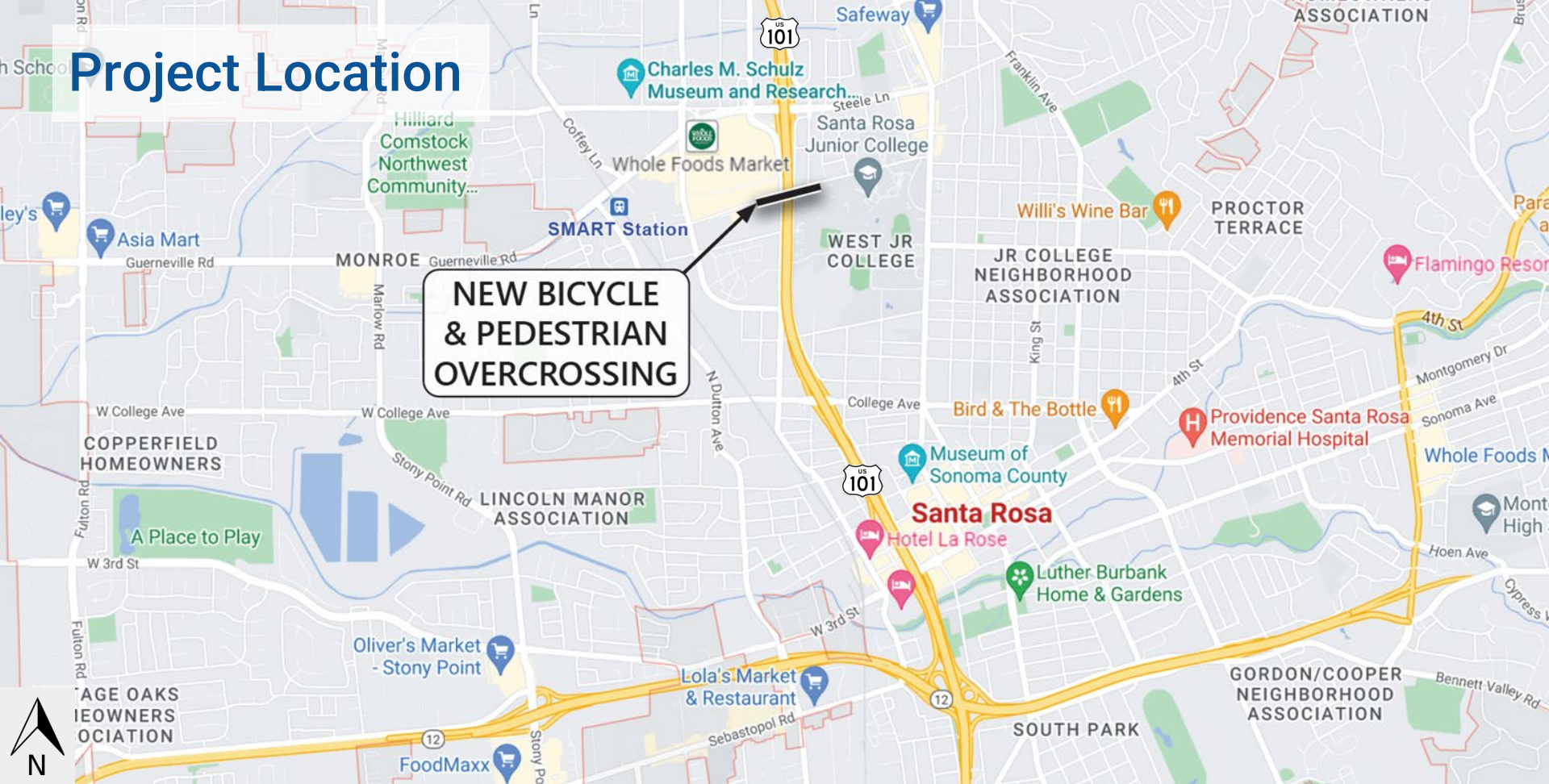


Presentation Outline

1. Status of Project and Schedule
(City Dept of Transportation & Public Works)
1. Recap of November 2021 DRB Meeting
(SGA)
1. Design Refinements (SGA)
1. DRB Discussion



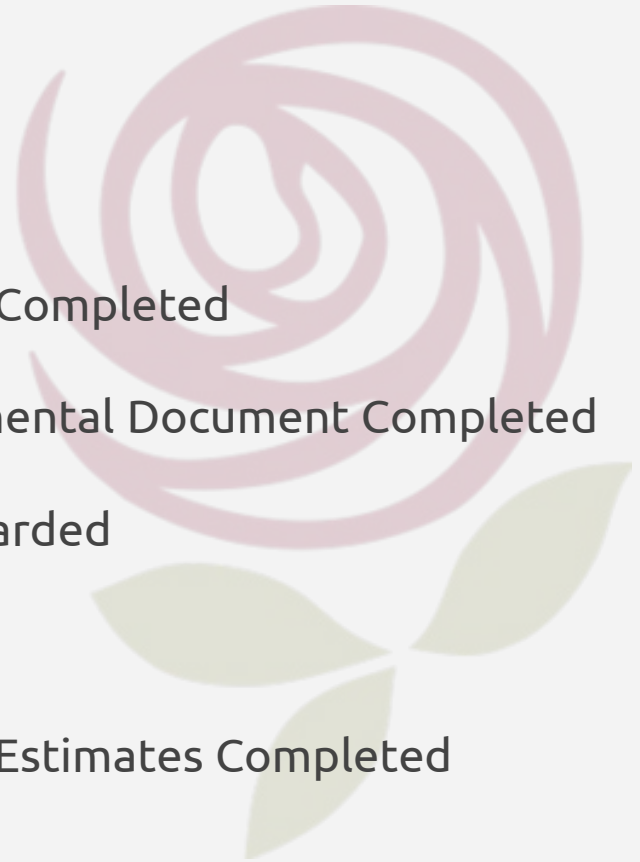
Project Location



**NEW BICYCLE
& PEDESTRIAN
OVERCROSSING**

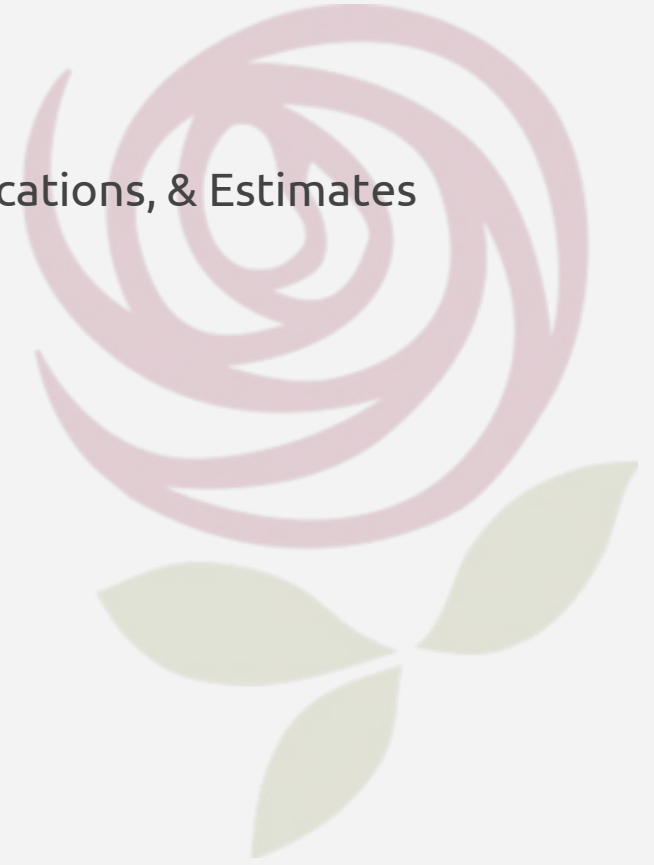
Project Milestones

1. November 2010 Feasibility Study Completed
1. October 2016 Project Initiation Document Completed
1. March 2021 Project Approval & Environmental Document Completed
1. June 2021 \$12 Million ATP Funding Awarded
1. June 2021 Detailed Design Began
1. June 2022 65% Plans, Specifications, & Estimates Completed



Next Steps

- 1. December 2022 Complete 95% Plans, Specifications, & Estimates
- 1. Fall/Winter 2023 Complete Project Design
- 1. Spring 2024 Begin Construction
- 1. Spring 2026 Complete Construction

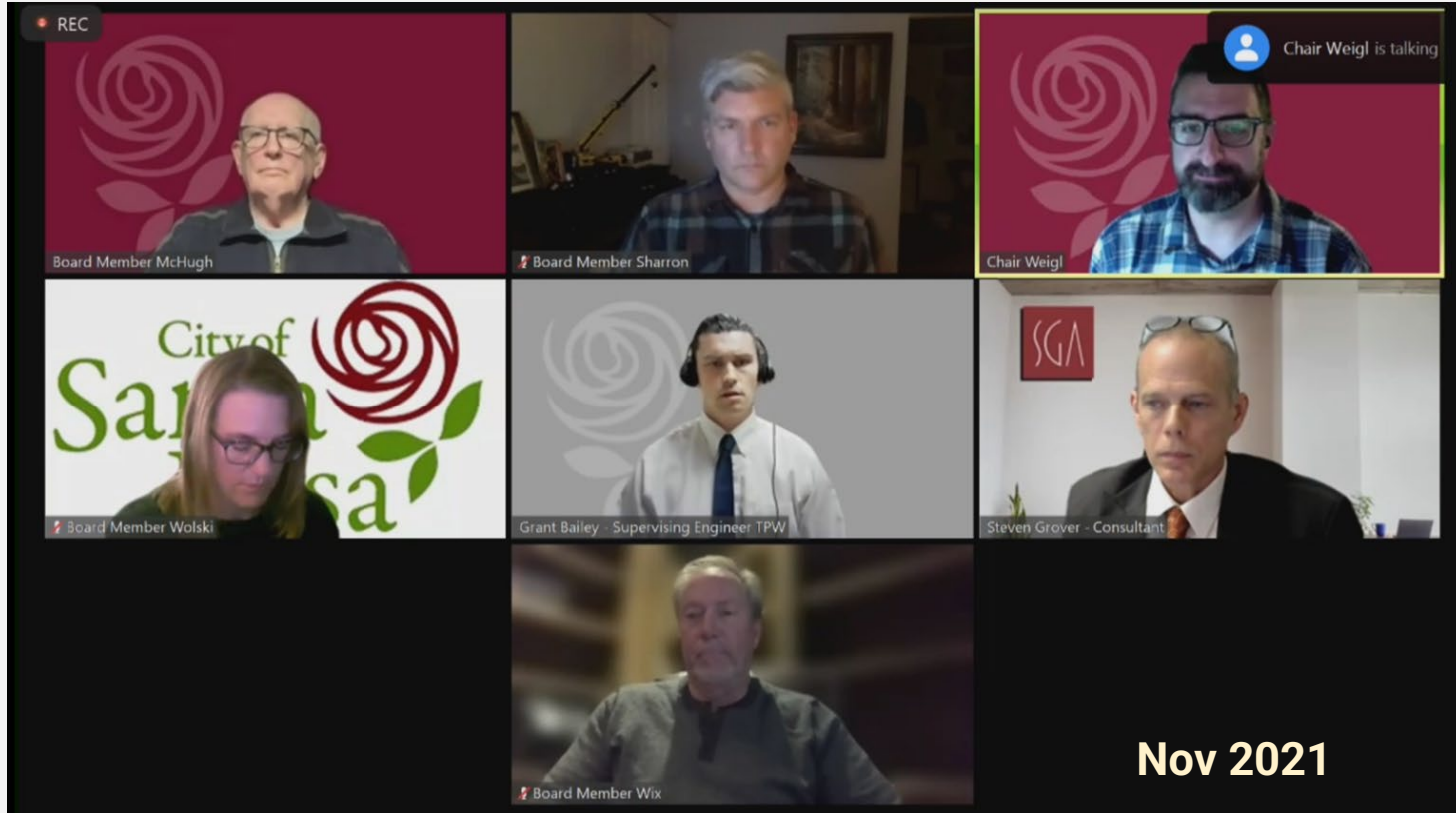


Presentation Outline

1. Established Design Elements
2. Refinements Requested by DRB
3. Other Refinements



Previous DRB Comments





Coddington Mall

Dick's Sporting Goods



Elliott Ave

Edwards Ave

Cleveland Ave

Armory Dr

Santa Rosa Junior College



View Looking West



View Looking North



US 101 Northbound

West Touchdown on Edwards



Edwards Ave

Dick's Sporting Goods

New signage

Safety lighting

Greater pathway width & sight-stopping distance

Large landing area

Mode separation

Sharrows

New crosswalk

View Looking East



US 101 Northbound

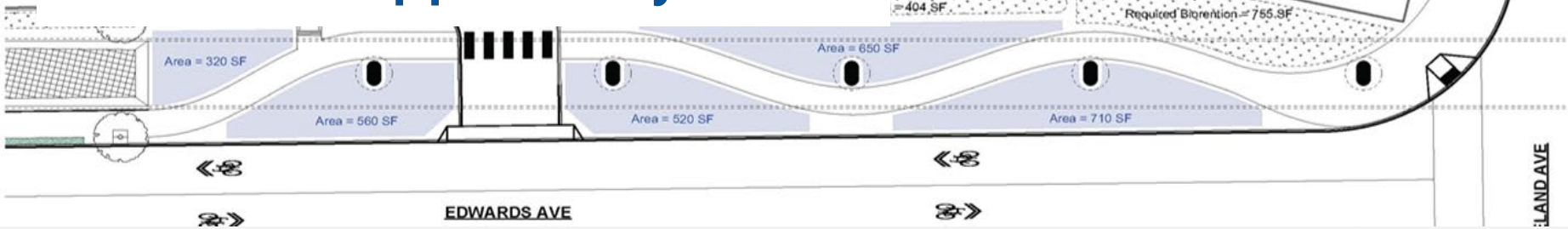
US 101 Southbound



srcity.org/BikePedOvercrossing



Public Art Opportunity Areas

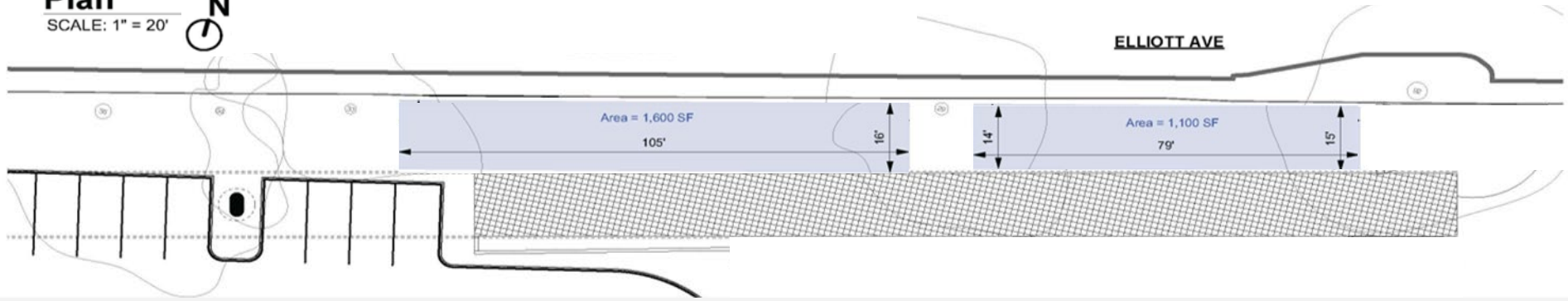


View Looking Northwest



= AREA AVAILABLE FOR PUBLIC ART WITHIN LANDSCAPING

Plan
SCALE: 1" = 20'



View Looking Southwest



srcity.org/BikePedOvercrossing

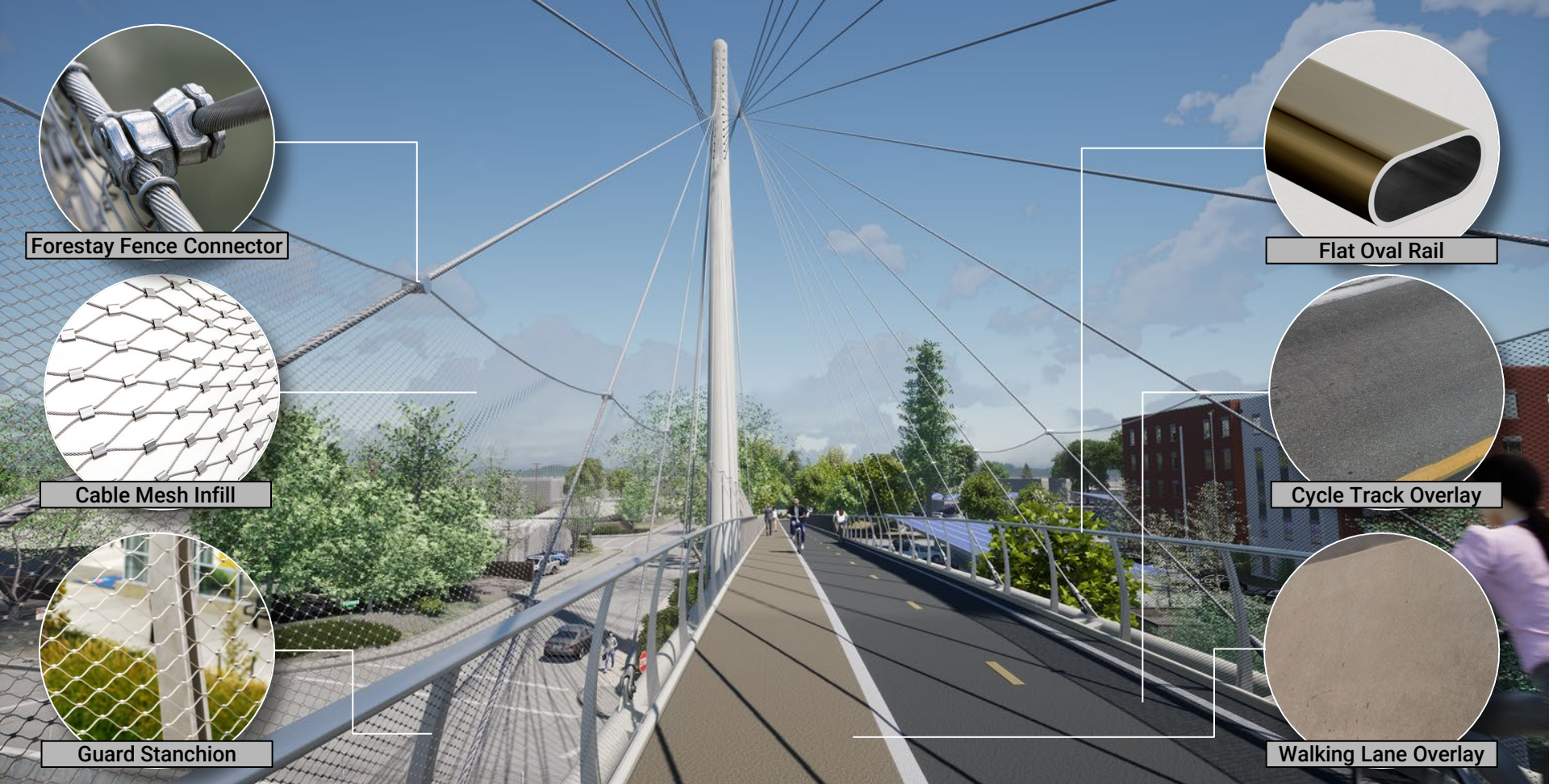


Fencing Terminations (as presented last November)

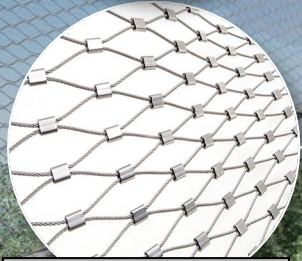


Refined Fencing Terminations





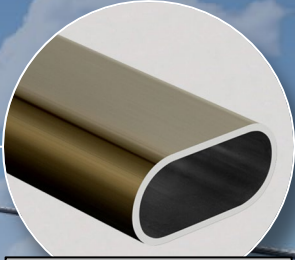
Forestay Fence Connector



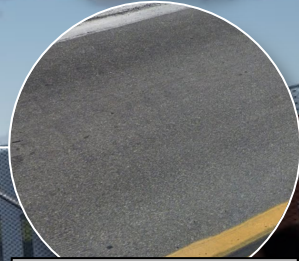
Cable Mesh Infill



Guard Stanchion



Flat Oval Rail



Cycle Track Overlay

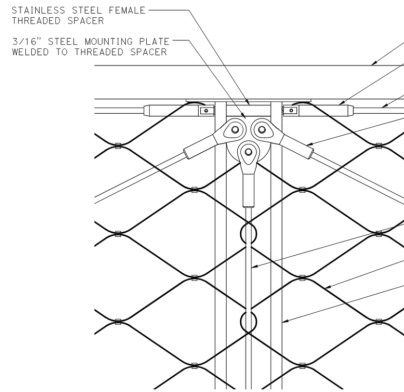
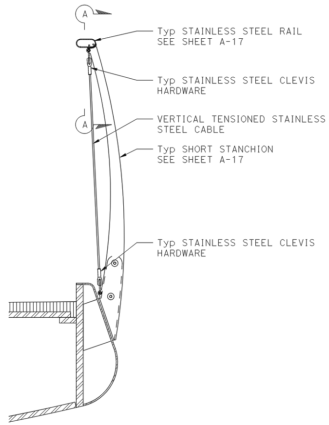
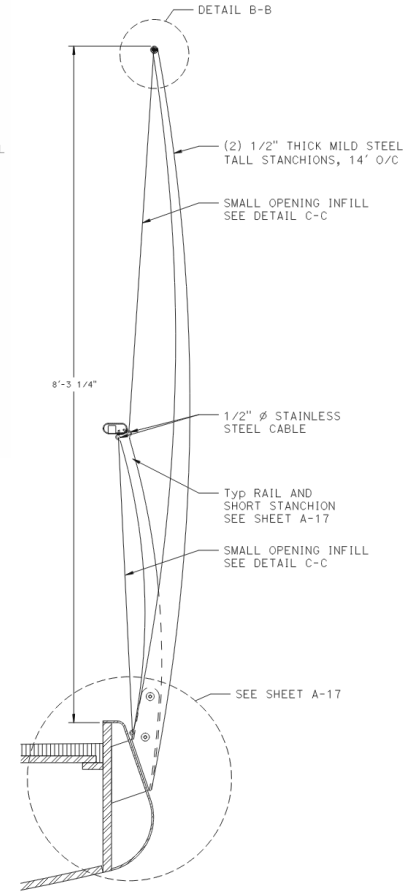
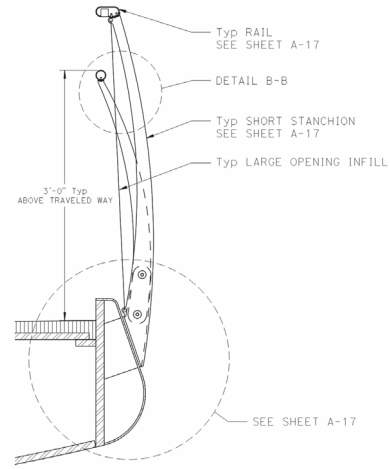
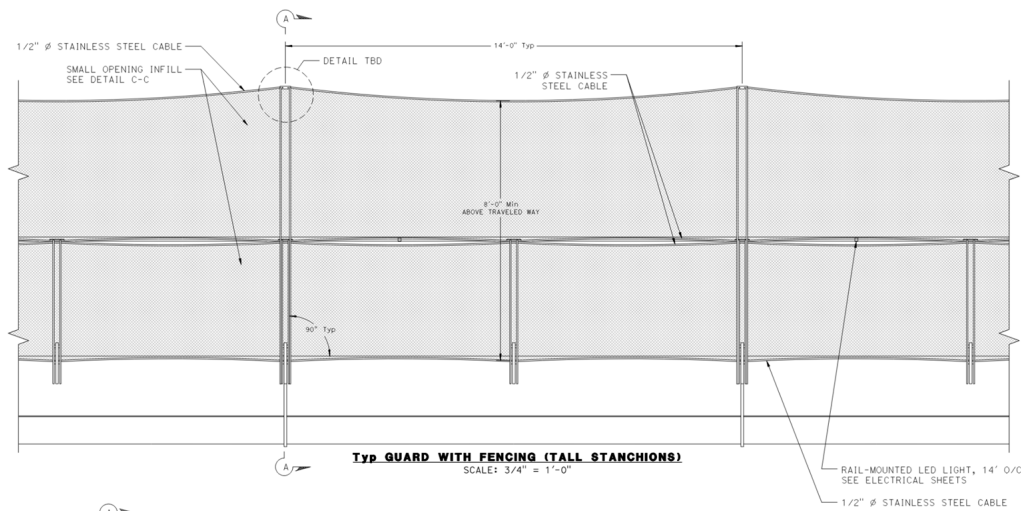


Walking Lane Overlay



Cable mesh infill attached to cable stays on Happy Hollow Bridge in San Jose, CA







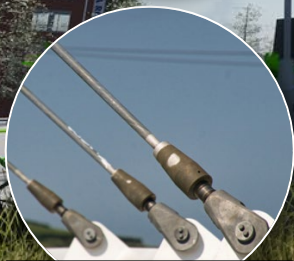
Cable Mesh with 1" openings used on the John Lewis Memorial Bridge over I-5 in Seattle, WA, which opened in October 2022



Transparency of cable mesh on the John Lewis Memorial Bridge



Full Locked Cable



Adjustable Socket

East Landing Area Design (as presented last November)



SRJC development
plans for this area TBD

Refined East Landing Area Design



Refined East Landing Area Design



Seat Wall - Acid Etch



Concrete Path
Davis Pewter 860



Concrete Pavers



srcity.org/BikePedOvercrossing



View Looking South



View Looking North



View Looking West



View Looking East



View Looking West



View Looking East



Refined West Touchdown on Edwards







SR 491 SR 491
Bicentennial Way Steele Lane
Guerneville Rd
2.1 mi 2.1 mi

US 101 Northbound



srcity.org/BikePedOvercrossing





US 101 Northbound

US 101 Southbound



srcity.org/BikePedOvercrossing





Similar Rail-Mounted Lighting used on the North-South Greenway Multi-Use Path over Corte Madera Creek in Greenbrae, CA, which opened in July 2022

NOTE:

UNDERLINED PORTIONS OF BOTANICAL NAME INDICATE ABBREVIATION USED ON PLANTING PLAN.

04	Sen	101	21.5
REGISTERED ARCHITECT	DATE		
PLANS APPROVAL DATE			
<small>THE STATE OF CALIFORNIA AND ITS OFFICERS AND AGENTS SHALL NOT BE RESPONSIBLE FOR THE ACCURACY OR COMPLETENESS OF ANY INFORMATION OR DATA SHOWN ON THESE PLANS UNLESS SPECIFICALLY NOTED OTHERWISE. THE USER SHALL BE RESPONSIBLE FOR OBTAINING ALL NECESSARY PERMITS AND APPROVALS FROM THE APPROPRIATE AGENCIES.</small>			
PANORAMIC DESIGN GROUP 3360 EL CERRITO PLAZA #528 EL CERRITO, CA 94530		CITY OF SANTA ROSA 89 STONY CIRCLE SANTA ROSA, CA 95404	

PLANT LEGEND

PLANT GROUP (SIZE)	PLANT No.	SYMBOL	BOTANICAL NAME	COMMON NAME	HOLE SIZE		BASIN TYPE	PLANT AREA (GROUP F/H/M/S/D)	APPLICATION RATES				ON CENTER SPACING	MINIMUM PLANTING DISTANCE FROM:						REMARKS		
					DIAMETER	DEPTH			SOIL AMENDMENT	ORGANIC FERTILIZER		STAKING		ETW	EP	FENCE	WALL	PAVED DITCH	EARTH DITCH			
										CF	PLT										ESTB	oz
A (No.1)	1		<u>ACHILLEA MILLEFOLIUM</u>	SONOMA COAST YARROW	①	②	II						3	++	++	++	++	++	++	++	++	SHRUB
	2		<u>DESCHAMPSIA CESPITOSA</u>	TUFTED HAIRGRASS	①	②	II						3									GRASS
	3		<u>FESTUCA CALIFORNICA</u>	CALIFORNIA FESCUE	①	②	II						2									GRASS
	4		<u>FESTUCA RUBRA 'MOLATE'</u>	MOLATE FESCUE	①	②	II						1									GRASS
	5		<u>JUNCUS PATENS</u>	GRAY RUSH	①	②	II						3									SHRUB
	6		<u>MIMULUS AURANTIACUS</u>	STICKY MONKEY FLOWER	①	②	II						3									GRASS
	7		<u>NASSELLA PULCHRA</u>	PURPLE NEEDLE GRASS	①	②	II						2									SHRUB
	8		<u>VITIS CALIFORNICA 'ROGERS RED'</u>	ROGER'S RED CALIFORNIA GRAPE	①	②	II						12									VINE
B (No.5)	9		<u>AEONIUM UNDULATUM</u>	STALKED AEONIUM	①	②	II						5									SHRUB
	10		<u>AGAVE ATTENUATA</u>	FOXTAIL AGAVE	①	②	II						3									SHRUB
	11		<u>ANIGOZANTHOS ORANGE CROSS</u>	KANGAROO PAW	①	②	II						3									SHRUB
	12		<u>ASCLEPIAS TUBEROSA</u>	ORANGE FLOWERED MILKWEED	①	②	II						3									SHRUB
	13		<u>CHONDROPETALUM TETROURUM</u>	CAPE REED	①	②	II						3									GRASS
	14		<u>MUHLENBERGIA RIGENS</u>	DEER GRASS	①	②	II						3									GRASS
	15		<u>NANDINA DOMESTICA 'EMERALD SEA'</u>	EMERALD SEA HEAVENLY BAMBOO	①	②	II						3									SHRUB
	16		<u>OPUNTIA LITTORALIS</u>	COASTAL PRICKLY PEAR	①	②	II						6									SHRUB
K (24" BOX)	17		<u>CERCIS OCCIDENTALIS</u>	WESTERN REDBUD	①	②	II					⑤	⑥									SHRUB
	18		<u>KOELERIA PANICULATA</u>	GOLDEN RAIN	①	②	II						⑤	⑥								TREE
	19		<u>LAURUS NOBILIS 'SARATOGA'</u>	SARATOGA BAY	①	②	II						⑤	⑥								TREE
	20		<u>QUERCUS LOBATA</u>	VALLEY OAK	①	②	II						⑤	⑥								TREE

95% SUBMITTAL

PLANT LEGEND
PL-1



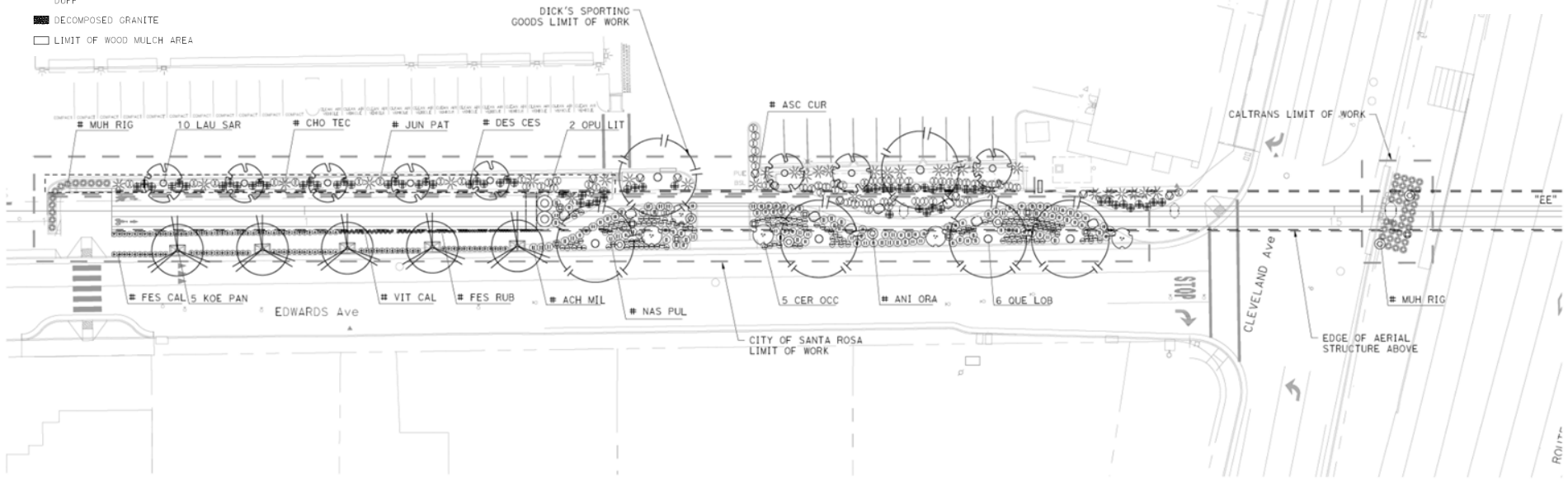
srcity.org/BikePedOvercrossing



NOTES:
 FOR ACCURATE RIGHT OF WAY DATA, CONTACT RIGHT
 OF WAY ENGINEERING AT THE DISTRICT OFFICE.

PRELIMINARY LEGEND

- HYDROZONE
- ▣ TREE GRATE
- BOULDERS
- DUFF
- ▨ DECOMPOSED GRANITE
- LIMIT OF WOOD MULCH AREA



PLANTING PLAN
 SCALE: 1" = 20'

95% SUBMITTAL

PP-1

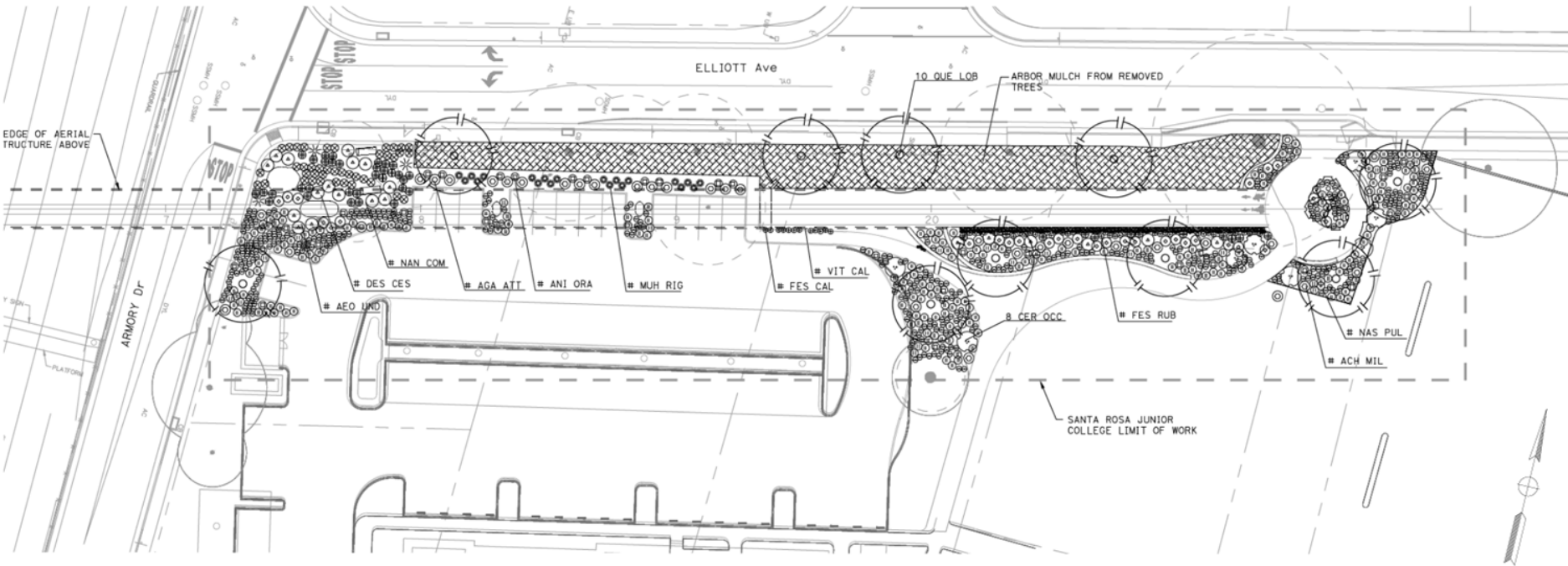


srcity.org/BikePedOvercrossing



NOTES:

FOR ACCURATE RIGHT OF WAY DATA, CONTACT RIGHT OF WAY ENGINEERING AT THE DISTRICT OFFICE.



PLANTING PLAN
SCALE: 1" = 20'

95% SUBMITTAL

PP-2



srcity.org/BikePedOvercrossing





Stalked Aeonium



Cape Reed



Sticky Monkey Flower



Tufted Hairgrass



Stalked Aeonium



Sonoma Coast Yarrow



Purple Needle Grass



Heavenly Bamboo



Red Kangaroo Paw



Golden Rain



Molate Fescue



California Fescue



Wire Rope Trellis System



Concrete Pattern - Vertical Board Form



Edwards Ave



Sticky Monkey Flower



Orange Milkweed



Sonoma Coast Yarrow



Kangaroo Paw



Purple Needle Grass



Gray Rush



Color Scheme Alternatives Studied



Thank You

Project Website:

www.srcity.org/bikepedovercrossing

City Project Manager:

Chris Catbagan, PE

Associate Engineer

707-543-4521

ccatbagan@srcity.org

