



Adoption of Revised Public Storm Drain Standards and Delegation of Approval Authority for Future Revisions to the Board of Public Utilities

Gabe Osburn, Director
Planning & Economic Development
Flannery Banks, Supervising Engineer
Engineering Development Services Division
Cleve Gurney, Deputy Director
Engineering Development Services Division

City Council Meeting
September 30, 2025

Executive Summary

- Establish the design policies and methods governing the public infrastructure
- Should be updated to meet the needs of the community, development, industry, and operations
- City's Charter Section 25 ratified on Nov. 8, 2022 delegated authority of Storm Water to the Board of Public Utilities (BPU)

Executive Summary (continued)

- Consistent with RES-2017-177
- Proposes City Council, by resolution:
 - Adopt the revised Public Storm Drain Standards as presented, with an effective date 30 days from the date of adoption
 - Delegation of authority to the BPU to adopt future revisions to the standards

Background

- Establishes minimum standards for design and construction of public storm drain infrastructure
- Applicability
 - Modifications to the public storm drain infrastructure
 - Capital improvement and private development projects
 - Infrastructure repairs by operations

Background (continued)

- Importance of updates to be consistent with:
 - Federal, state, and local regulations
 - Industry standard practices
 - Operation and maintenance needs
 - Industry needs
 - Changing urban watershed
- Last adopted update: April 2005
- Routed for internal City comments
 - Planning and Economic Development
 - Water
 - Transportation and Public Works

Background (continued)

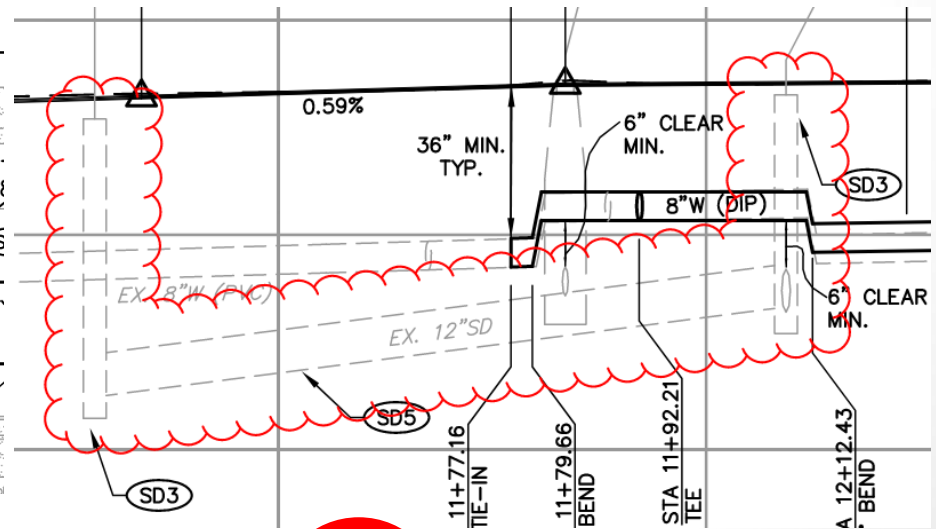
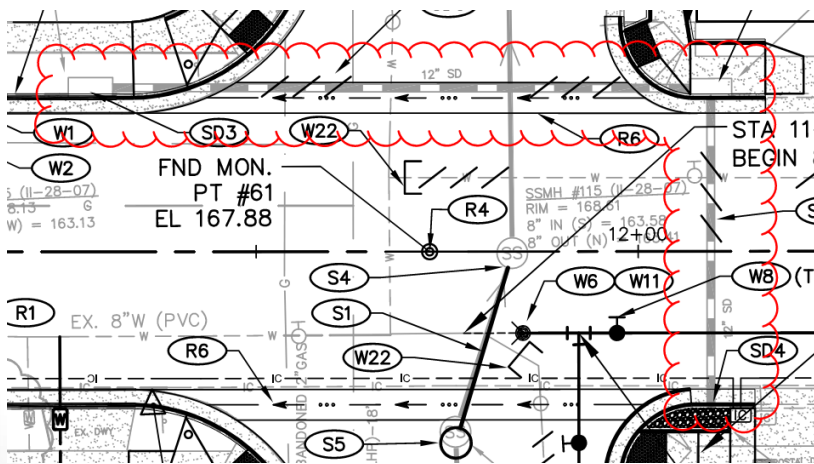
- Routed for public comment
 - American Council of Engineering Companies – North Coast Chapter (ACEC)
 - Northern California Contractors Association (ECA)
 - American Society of Civil Engineers- Redwood Empire Branch (ASCE)
 - Sonoma Water
 - Marin/Sonoma Mosquito & Vector Control District (MSMVCD)

Background (continued)

- Delegation of approval authority
 - Amended City Charter Section 25 delegates Future Approval Authority of the City's storm drain infrastructure to BPU
 - RES-2017-177 established precedent
- Board of Public Utilities (BPU) recommended, by motion, City Council adopt the revised standards and delegate future adoption authority to BPU

Analysis

- General types of revisions included
 - Formatting
 - Ensuring consistency with federal, state, and local regulations

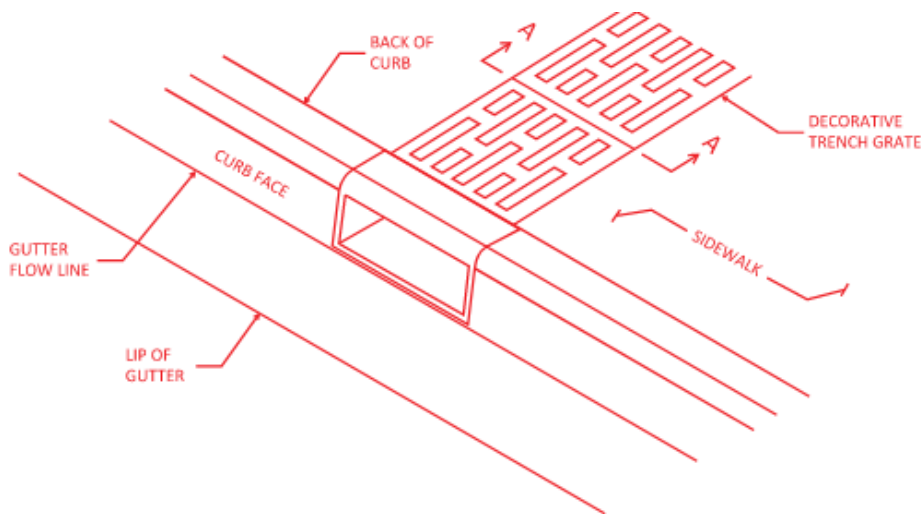


Not Allowed!

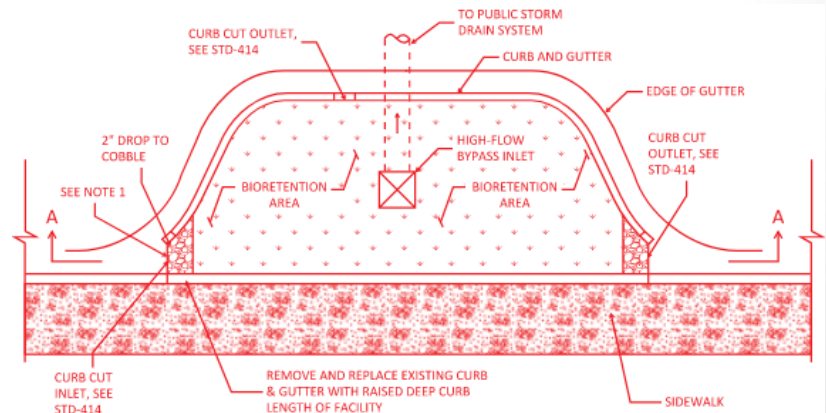


Analysis (continued)

- Industry support
 - Clarifying, increasing transparency, and formalizing interpretations
 - Address requests from design and construction community
 - Industry standard practices



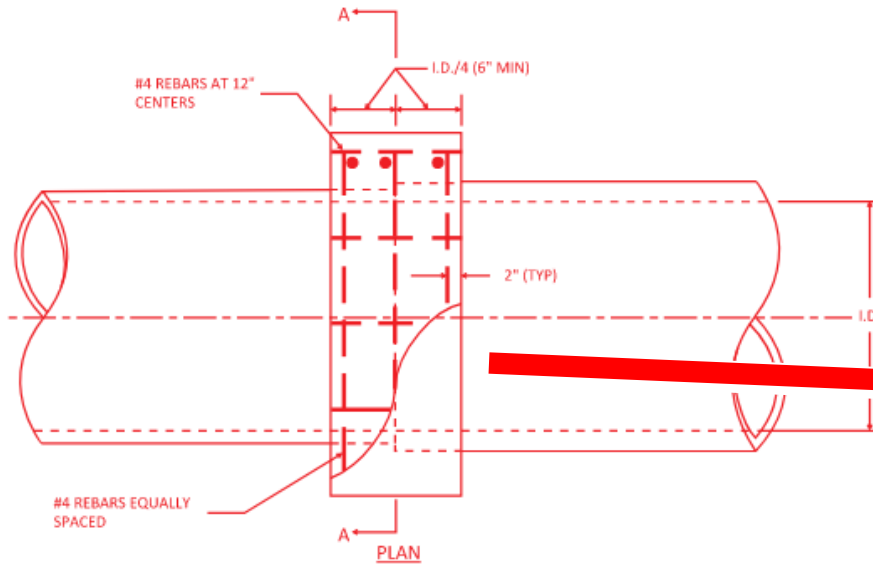
ISOMETRIC VIEW



PLAN VIEW

Analysis (continued)

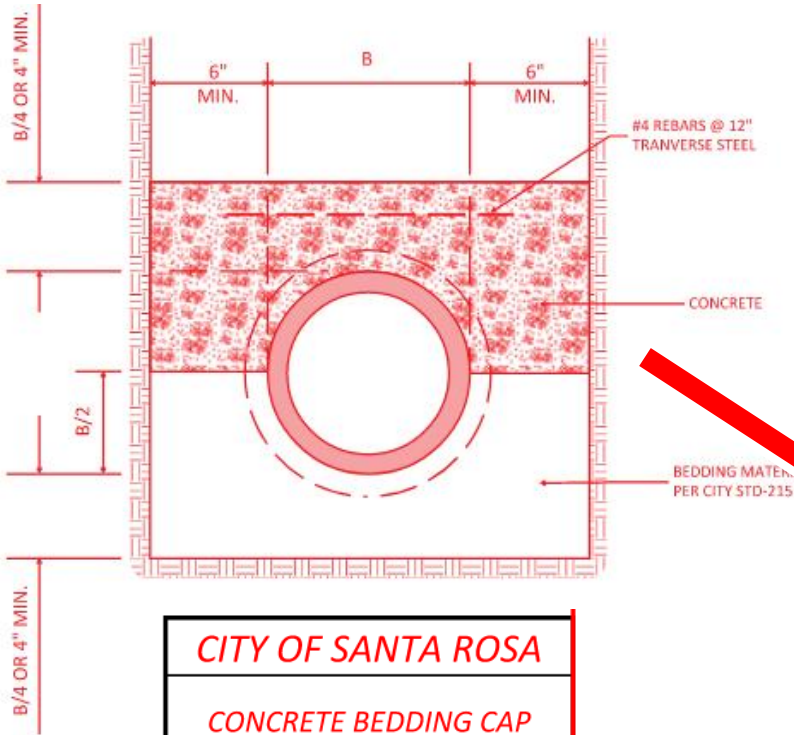
- Industry support (continued)



CITY OF SANTA ROSA		
REINFORCED CONCRETE PIPE COLLAR		
Scale: NONE	DRAFT MARCH 2025	
DWN: EDS	APPROVED:	FILE NO:
CHK:		STD - 410

Analysis (continued)

- Industry support (continued)



CITY OF SANTA ROSA		
CONCRETE BEDDING CAP		
Scale: NONE	DRAFT MARCH 2025	
DWN: EDS	APPROVED:	FILE NO:
CHK:		STD - 412



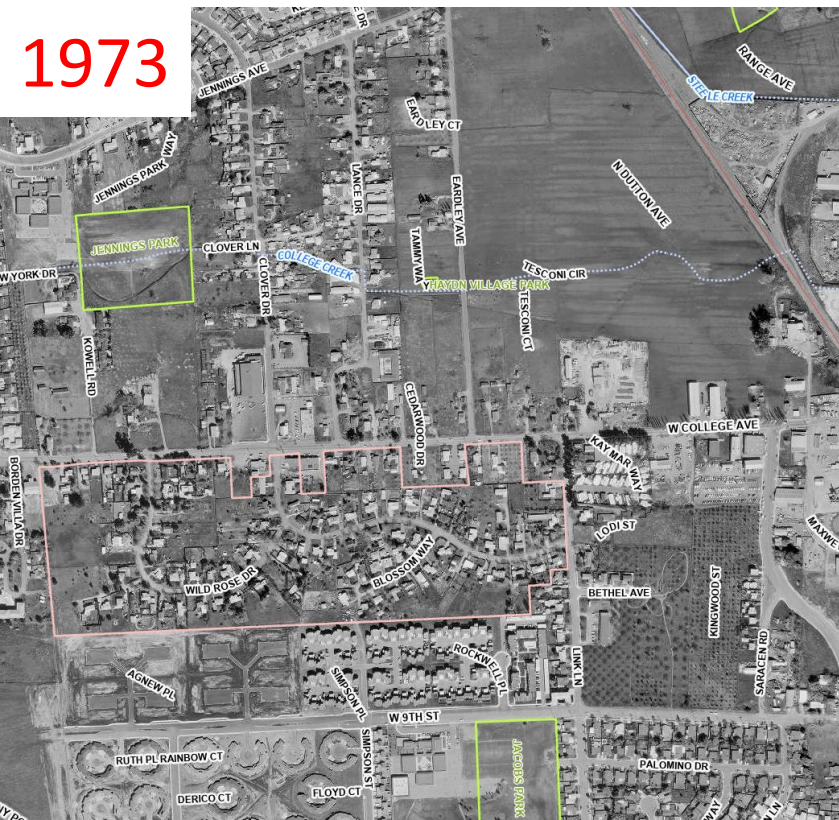
Analysis (continued)

- Operation and maintenance needs



Analysis (continued)

- Changing urban watershed and risks



Analysis (continued)

- Why delegate future authority?
 - Consistent with City Charter Section 25
 - RES-2017-177 established precedent for potable water, recycled water, and sewer
 - More timely processing of future revisions

Analysis (continued)

- Effective date
 - Recommend revised standards go into effect 30 days from City Council adoption
 - Only applies to new applications submitted after the effective date
 - As proposed, will limit impacts to the private design community and avoid redesign of plans currently under review

Recommendation

- Recommend City Council, by resolution:
 - Adopt the revised Public Storm Drain Standards as presented, with an effective date 30 days from the date of adoption
 - Delegate authority to the BPU to adopt future revisions to the standards

QUESTIONS?

Gabe Osburn, Director

Planning & Economic Development

Flannery Banks, Supervising Engineer

Engineering Development Services Division

Cleve Gurney, Deputy Director

Engineering Development Services Division