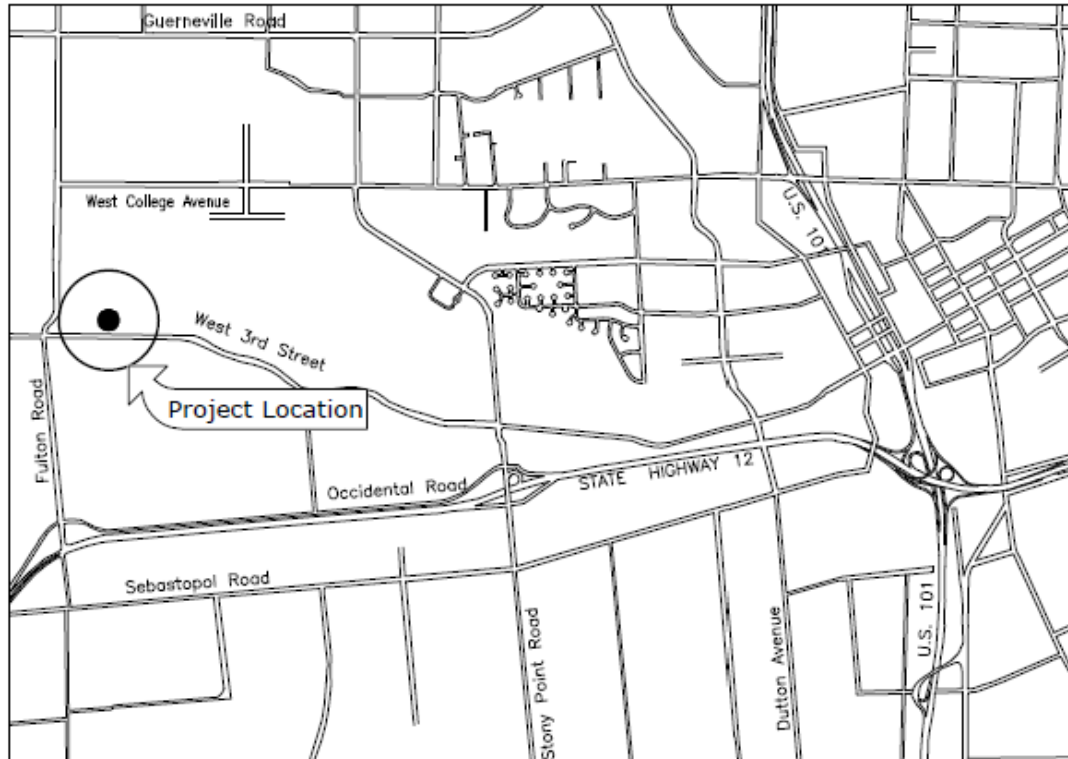


Approval of Amendment No. 2 to Project Work Order with Green Valley Consulting Engineers - Emergency Well Pump Station - A Place to Play – Construction Management and Inspection

Board of Public Utilities Meeting
July 18, 2024

Chris Balanesi, Associate Civil Engineer
Transportation & Public Works – Capital Projects Engineering

Project

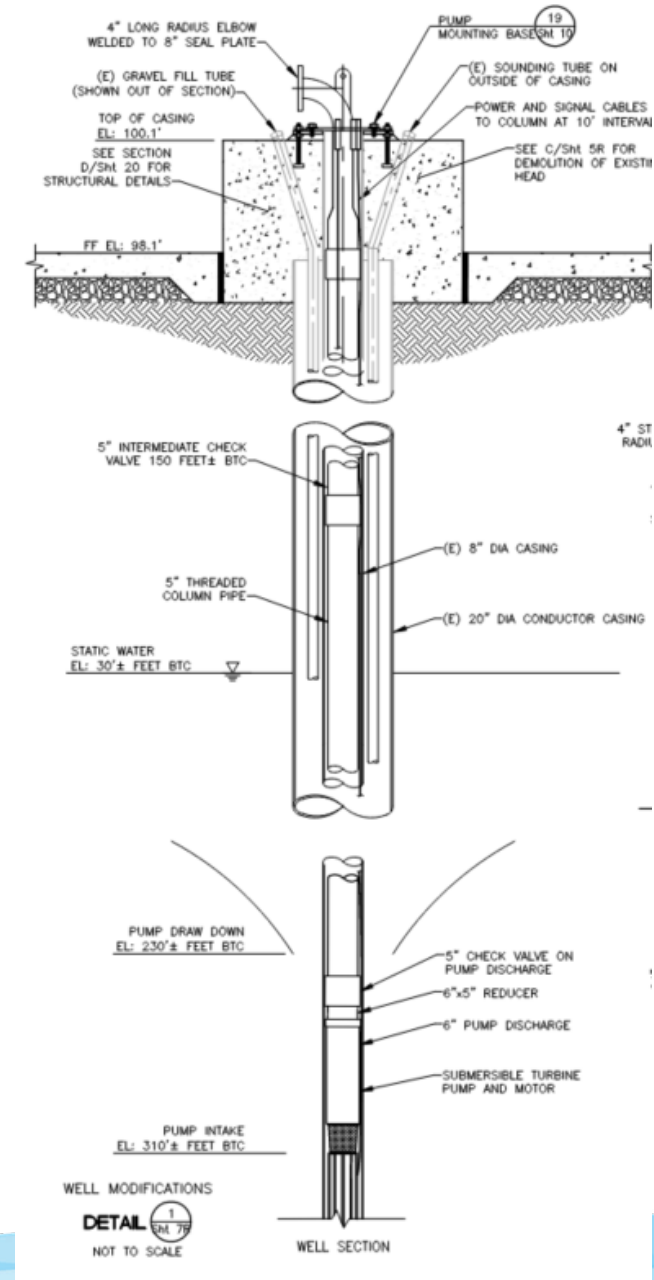


LOCATION MAP



Project

- Develop an emergency municipal well pump station at A Place to Play Park
 - Grading
 - Construction of facility
 - Rehabilitate well
 - Connect to City water, sewer & stormwater facilities



Background

- 2006 – Test well installed
- 2016 – Well reconditioned & tested
- 2017-2020 – Design
- May 2020 – Construction awarded to Team Ghilotti Inc.
- Nov 2020 – Work suspension due to arsenic in groundwater
- Nov 2020 – Oct 2021 – Studies & plan design updates



Background

- Oct 2021 – BPU approved Change-of-Scope Contract Change Order
- Feb 2022 – Construction resumed



Background



Background



Background

- June 2022 – TESCO Motor Control Center (MCC) anticipated delivery date
- Nov 2022 – Work suspension due to TESCO material delay
- June 2023 – TESCO MCC factory test



Background

- March 2024 – TESCO MCC delivered; suspension lifted
- Present – Building electrical, plumbing & general mechanical work in progress
- Projected Completion: Summer/Fall 2024



Analysis

- Green Valley Consulting Engineers - Construction Management and Inspection Services
- Project Work Orders No. A010146-2016-20 & No. A010146-2016-20A executed by Assistant City Manager
- Project suspensions & material delay prematurely exhausted contract
- Amendment 2 – provides additional Construction Management & Inspection services through Project Completion

Recommendation

It is recommended by the Transportation and Public Works Department and Santa Rosa Water that the Board of Public Utilities, by motion, approve Amendment No. 2 to Project Work Order No. A010146-2016-20 with Green Valley Consulting Engineers of Santa Rosa, California, for the Emergency Well Pump Station - A Place to Play project for Construction Management and Inspection services, increasing the contract amount by \$146,773 for a total value of \$645,147.

Questions?