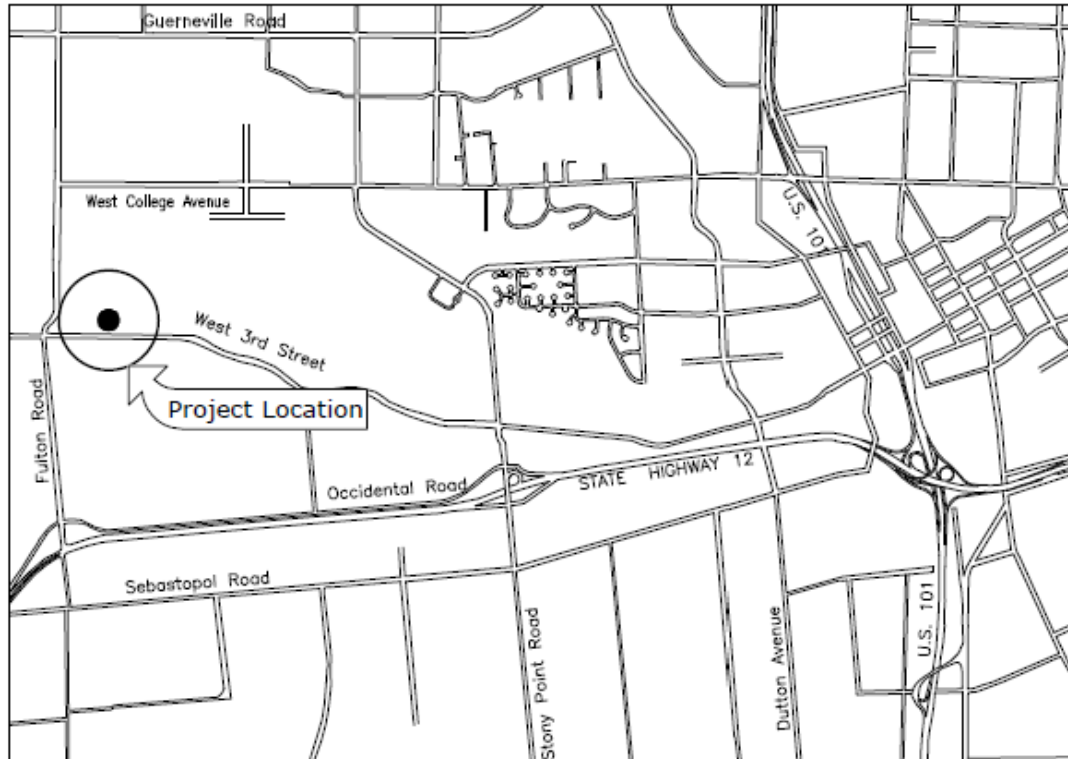


# Approval of Amendment No. 2 to Project Work Order with Green Valley Consulting Engineers - Emergency Well Pump Station - A Place to Play – Construction Management and Inspection

Board of Public Utilities Meeting  
July 18, 2024

Chris Balanesi, Associate Civil Engineer  
Transportation & Public Works – Capital Projects Engineering

# Project

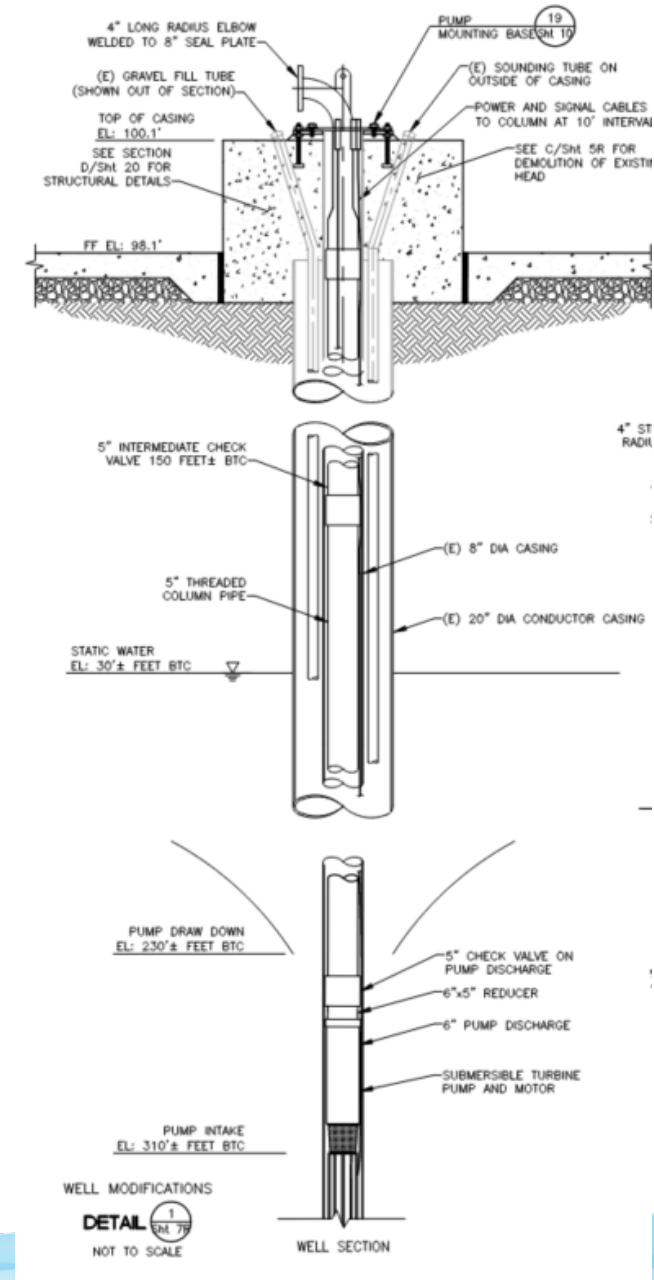


**LOCATION MAP**



# Project

- Develop an emergency municipal well pump station at A Place to Play Park
  - Grading
  - Construction of facility
  - Rehabilitate well
  - Connect to City water, sewer & stormwater facilities





# Background

- 2006 – Test well installed
- 2016 – Well reconditioned & tested
- 2017-2020 – Design
- May 2020 – Construction awarded to Team Ghilotti Inc.
- Nov 2020 – Work suspension due to arsenic in groundwater
- Nov 2020 – Oct 2021 – Studies & plan design updates



# Background

- Oct 2021 – BPU approved Change-of-Scope Contract Change Order
- Feb 2022 – Construction resumed





# Background



# Background





# Background

- June 2022 – TESCO Motor Control Center (MCC) anticipated delivery date
- Nov 2022 – Work suspension due to TESCO material delay
- June 2023 – TESCO MCC factory test





# Background

- March 2024 – TESCO MCC delivered; suspension lifted
- Present – Building electrical, plumbing & general mechanical work in progress
- Projected Completion: Summer/Fall 2024



# Analysis

- Green Valley Consulting Engineers - Construction Management and Inspection Services
- Project Work Orders No. A010146-2016-20 & No. A010146-2016-20A executed by Assistant City Manager
- Project suspensions & material delay prematurely exhausted contract
- Amendment 2 – provides additional Construction Management & Inspection services through Project Completion

# Recommendation

It is recommended by the Transportation and Public Works Department and Santa Rosa Water that the Board of Public Utilities, by motion, approve Amendment No. 2 to Project Work Order No. A010146-2016-20 with Green Valley Consulting Engineers of Santa Rosa, California, for the Emergency Well Pump Station - A Place to Play project for Construction Management and Inspection services, increasing the contract amount by \$146,773 for a total value of \$645,147.



# Questions?