



# Sonoma Water

**Clean. Reliable. Essential. Every Day.**

## Water Transmission System Projects

**Kent Gylfe**

Director of Engineering

[kent.gylfe@scwa.ca.gov](mailto:kent.gylfe@scwa.ca.gov)



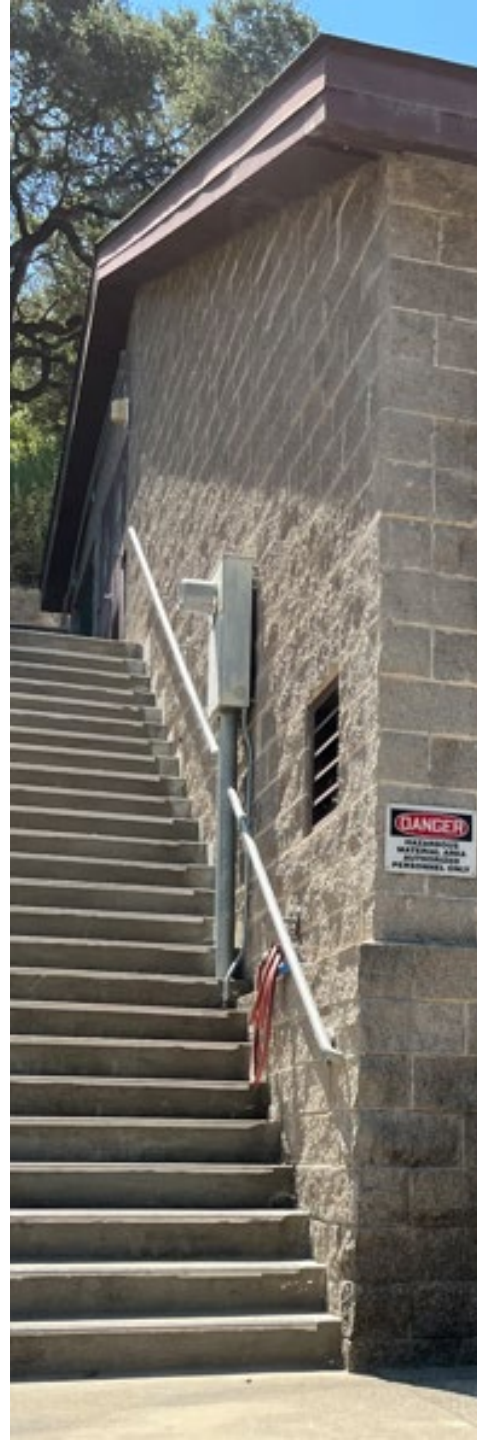
[sonomawater.org](http://sonomawater.org)



Capital Improvement Projects

O&M Projects

Planning Efforts



# Occidental Rd Well #3 Drilling and Activation

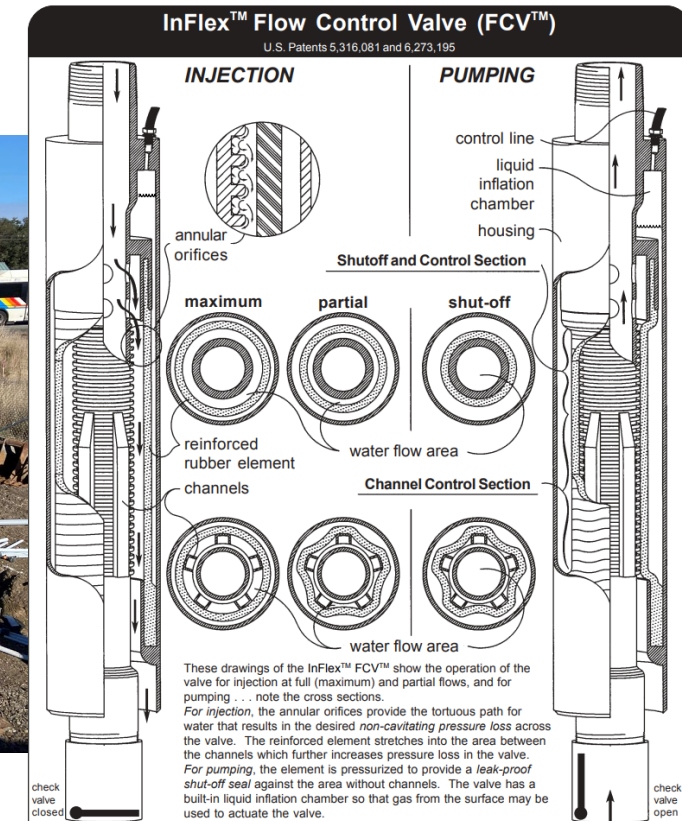
- Drilling project completed in April 2024
- Topside design delayed due to well development – advertising December 2024
- Substantial completion in October 2025
- Plan, permit, test and implement recharge components internally (2026)

*Santa Rosa Plain Wells Drought Resiliency  
Project awarded \$6.9M State Drought  
Relief Grant*



# Sebastopol Rd Well Activation

- Design completed and project advertised in Nov 2023
- Underground work to be completed in coming weeks
- Well conditioning and cycling through Spring 2025
- ASR pilot study through Oct 2025



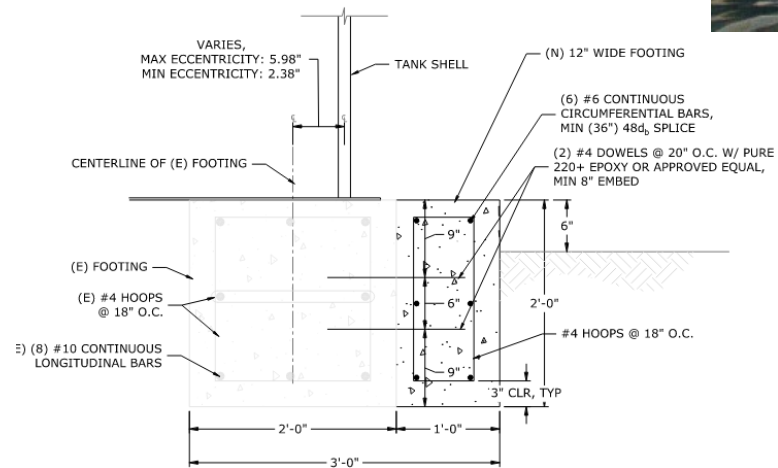
# Kastania Tank Recoat

- Project Goals
  - Recoat interior/exterior of tank
  - Replace cathodic protection
  - Seismic analysis/retrofits
  - Modifications to tank appurtenances
- Completed and back in service September 2024
- Fun fact – Kastania tank required roughly 6,850 gallons of paint to recoat – enough to paint an average 1500 ft<sup>2</sup> home 250 times



# Cotati #3 Recoat and Seismic Project

- 18MG tank – largest in system
- Bids received October 2024
  - Recoat interior/exterior of tank
  - Cathodic protection
  - Seismic retrofit of foundation
  - Modifications to tank appurtenances
- Construction anticipated Feb 2025 – Jan 2026



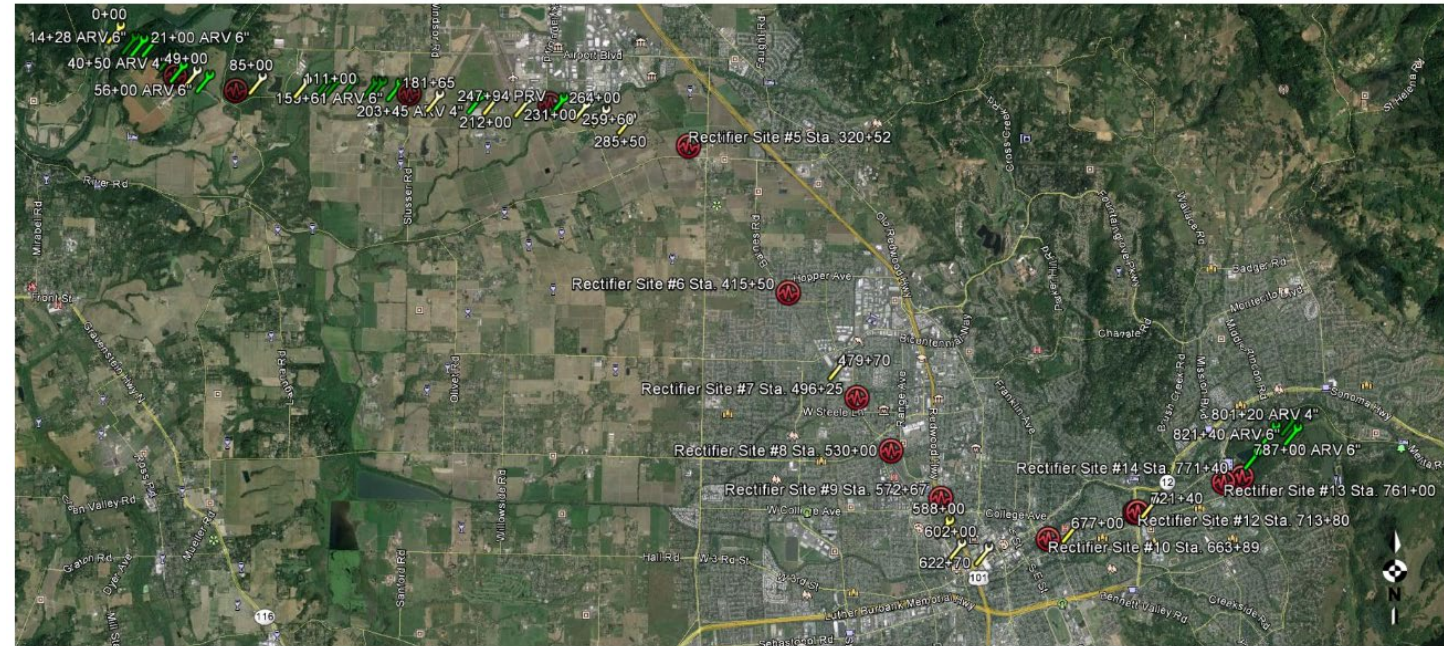
**TYPICAL FOOTING EXPANSION DETAIL**  
 A S2 1-1/2" = 1'-0"



# Santa Rosa/Cotati Aqueduct Cathodic Protection

- Project split in 2 phases based on ease of R/W and permitting
  - Phase 1
    - 11 total rectifier/anode well sites
    - 11 CP stations
  - Phase 2 –
    - 20 total rectifier/anode well sites
    - 39 CP stations
- Significant coordination with PG&E
- Phase 1 design progressing with target advertise Feb 2025
- Phase 2 design to follow with target advertise Jan 2026

SANTA ROSA AQUEDUCT



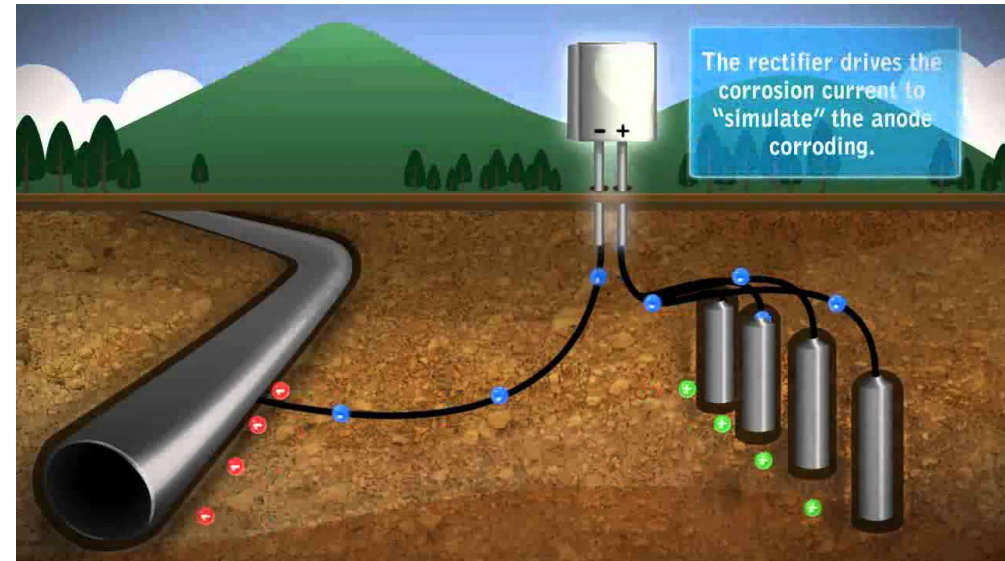
Proposed Rectifier



Proposed CTS – Excavation Required

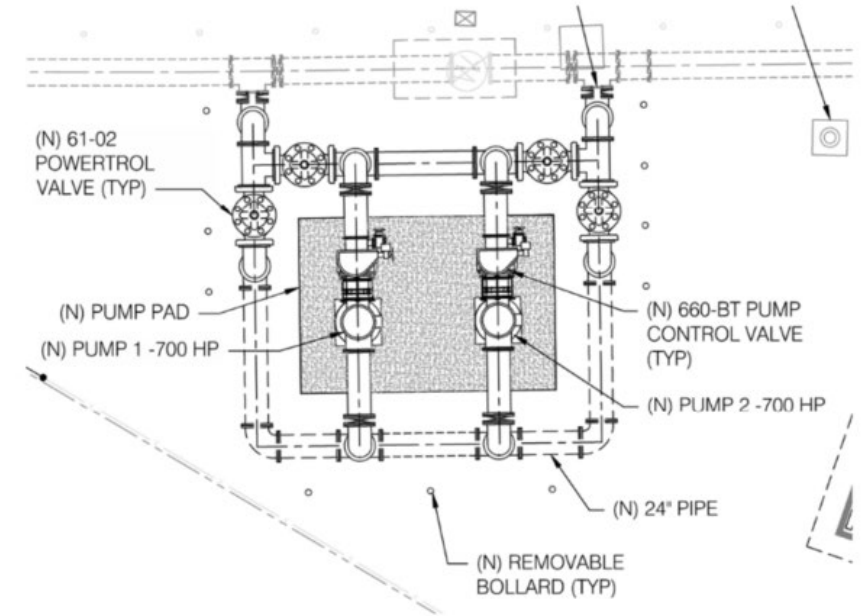


Proposed CTS – No Excavation Required



# Wilfred Booster Electrical Upgrade

- Project includes
  - Replace electrical switchgear building and components
  - Add 2<sup>nd</sup> pump set and piping for reliability/resiliency
  - Capable of pumping north and south
- Electrical switchgear prepurchase in June 2024
- Advertise scheduled for May 2025



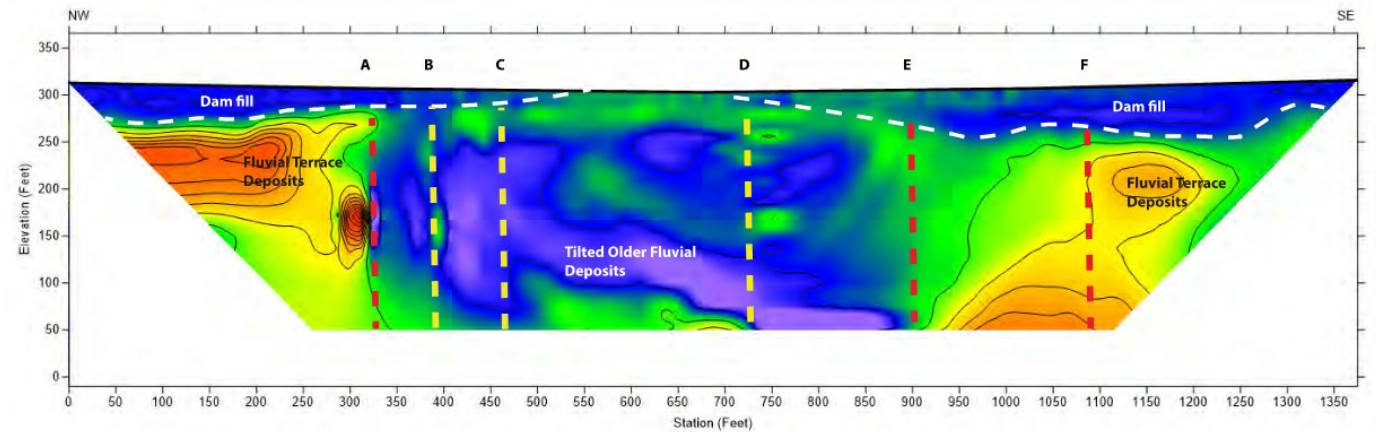


# Designs in Progress

- Bennett Valley Fault Crossing
  - Seismic resiliency pipeline project
  - 30% design complete with target advertise Summer 2025
- Treatment Modernization Upgrades
  - Preliminary feasibility completed Oct 2024
  - Multi-phase, multi-year project with Phase 1 design kicking off
- Wohler Demuth
  - Emergency storage facility
  - Design kicked off with target advertise Summer 2026
- Kawana-Ralphine-SBS Pipeline - Ph 1
  - In process of finalizing scope with consultant for phase 1 design, environmental, and right-of-way
  - Next phase will utilize recent easement acquisition through Southeast Greenway



Red = Primary fault trace Yellow = Secondary fault trace



# Tank Washout Inspections, Visual Inspections, and Condition Assessments

- Washout Inspections
  - Ralphine 1, 2, 3 & 4
  - Eldridge 1
  - Sonoma 1&2
  - Annadel 1 & 2
  - Kawana 1 (in progress)
  - Cotati 2 (FY 24/25)
  - Kawana 2 (FY 25/26)
  - Eldridge 2 (FY 25/26)



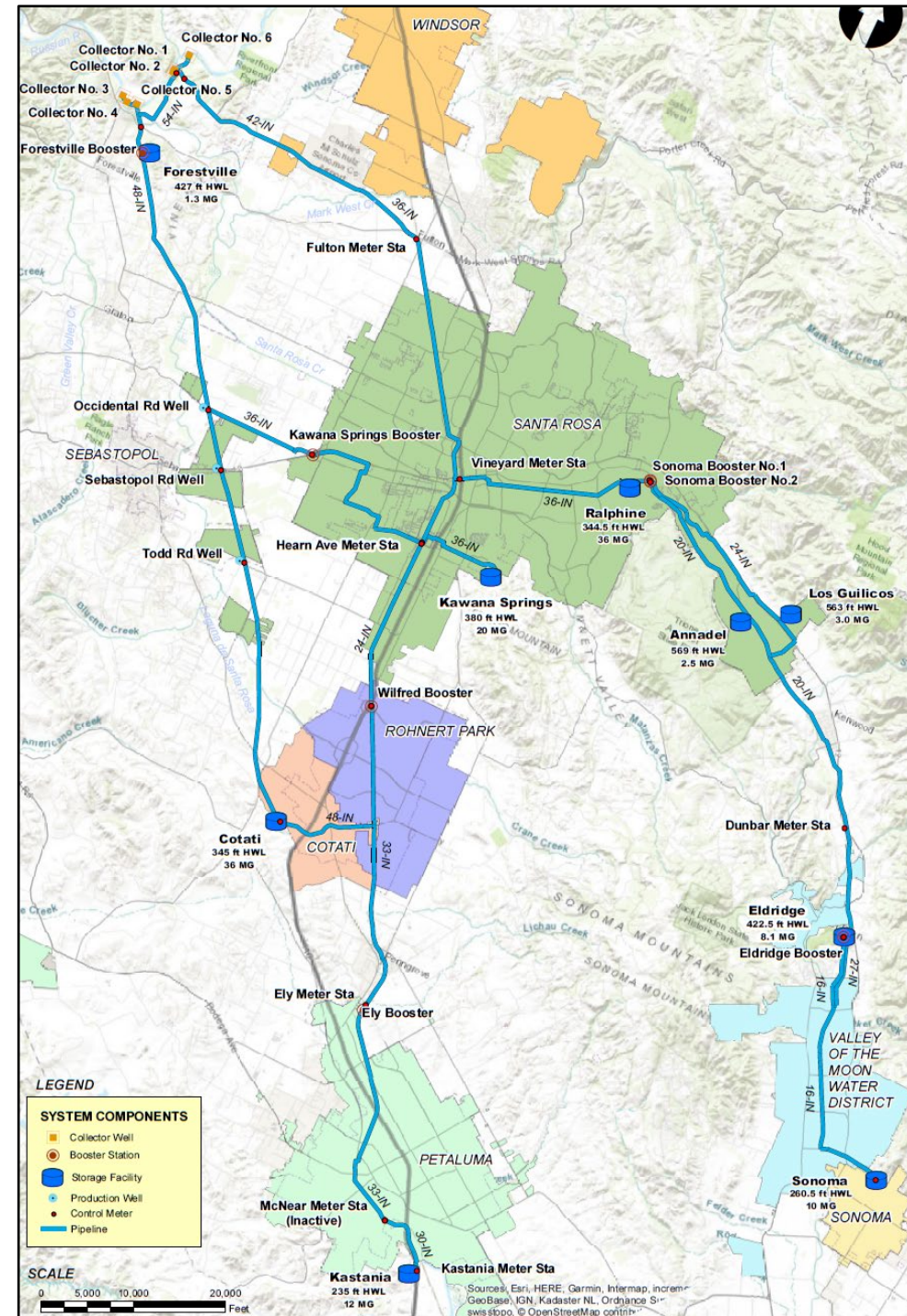
# 10 - Year Water Storage Tank Maintenance Agreement

	FY 22/23	FY 23/24	FY 24/25	FY 25/26	FY 26/27	FY 27/28	FY 28/29 <sup>(2)</sup>
Tanks Inspected <sup>(3)</sup>	15	13	17	16	15	18	16
Tanks Drained & Cleaned	5	4	2	2	0	5	5
Coating Repairs (Internal & External)	3	6	2	2	0	0	0
Minor Structural Repairs	3	6	2	1	0	0	0
Cathodic Protection Upgrades	2	11	1	2	0	0	0
Regulatory & Safety Upgrades	3	6	2	2	0	0	0
<b>Cost =</b>	\$1,146,900	\$1,598,150	\$1,429,457	\$1,400,548	\$340,348	\$695,680	\$515,681



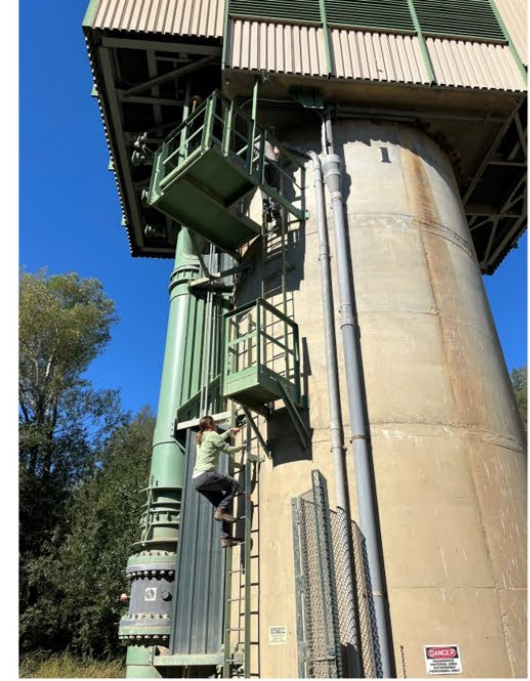
# Comprehensive Master Plan

- Task 1 complete:
  - Water System Baseline
- FY24/25:
  - Task 2 – Water Demand Forecasting
  - Task 3 – Basis of Cost Information
  - Task 4 – Methodology for Project Prioritization
- FY25/26:
  - Task 5 – Generate Project Groupings
- FY26/27:
  - Task 6 – Compile Water System Master Plan



# DDW Sanitary Survey Inspection

- Comprehensive Sanitary Survey Inspection conducted on September 24th & 25th
- Attended by 10 DDW Staff members
- Staff inspected Sonoma Water Operations Room, SCADA System, all six collector wells, disinfection and corrosion control facilities, all 18 storage tanks, Todd Road Well and two booster pump stations.
- Deficiency findings: replace chlorine solution rotometer in Collector 6, minor rust and graffiti on five tanks, increase security on tank sites
- No findings on: pumps, system management and operation, monitoring and reporting, operator compliance with state requirements





**Sonoma  
Water**

**Questions?**