

SUMMARY DRAWING

DUTCH BROTHERS SIGNS VARIANCE - 919 HOPPER AVENUE

SUMMARY - BUILDING SIGNS & MENUS

SHOP DRAWING #:
31748

CLIENT:
 919 HOPPER AVE.
 SANTA ROSA, CA

DATE OF SHOP DRAWING:
11/11/20

SHOP REVISIONS:
 1.11.21 MOVED MENU ON WEST &
 ADDED 2 MORE.

SALES:	CONCEPT DESIGN:	PROD. DESIGN:	PAGE NO:
NJ	CH	CH	1 of 3

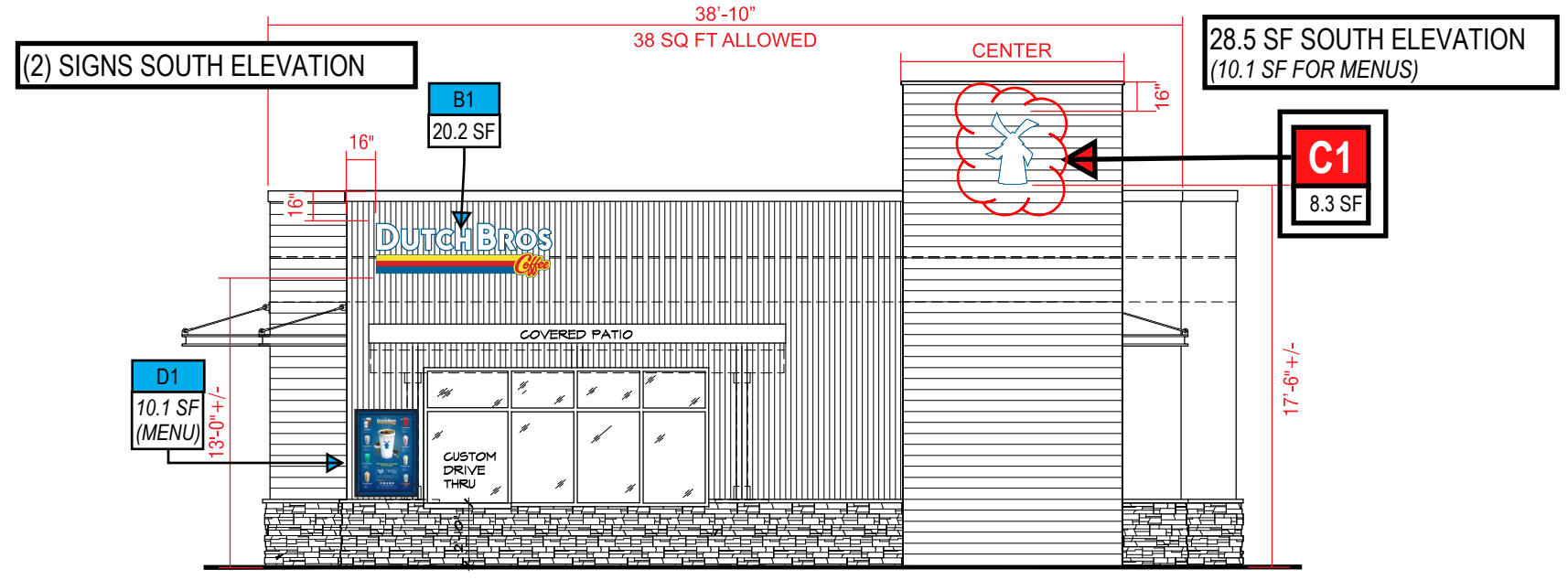
ES&A SIGN & AWNING
 89975 PRAIRIE RD. | EUGENE, OR 97402
 P 541.485.5546 | F 541.485.5813

LEGEND	
#	= PROPOSED
#	= EXISTING

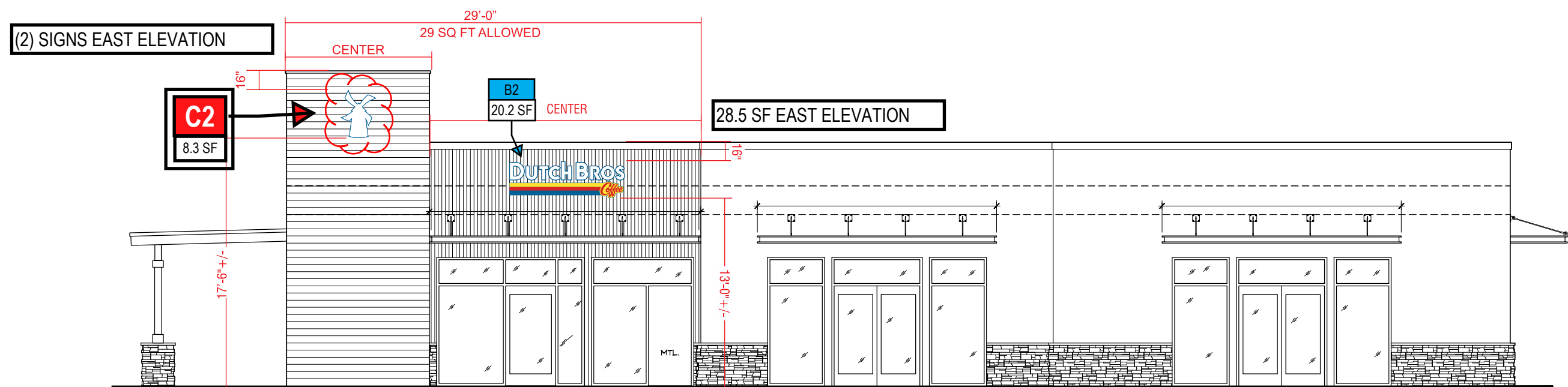
(6) SIGNS TOTAL
 ((3) PROPOSED)

NEW SQUARE FOOTAGE	
28.5	
28.5	
20.2	
+ 6.67	
= 83.87 SF SIGNS	
	10.1×4
	= 40.4 SF MENUS

City of Santa Rosa
 Planning & Economic
 Development Department
 02/01/2023
 RECEIVED



SOUTH ELEVATION
 SCALE: 1/8" = 1'-0"



EAST ELEVATION
 SCALE: 1/8" = 1'-0"

SUMMARY DRAWING

DUTCH BROTHERS SIGNS VARIANCE - 919 HOPPER AVENUE SUMMARY - BUILDING SIGNS & MENUS

LEGEND

= PROPOSED
= EXISTING

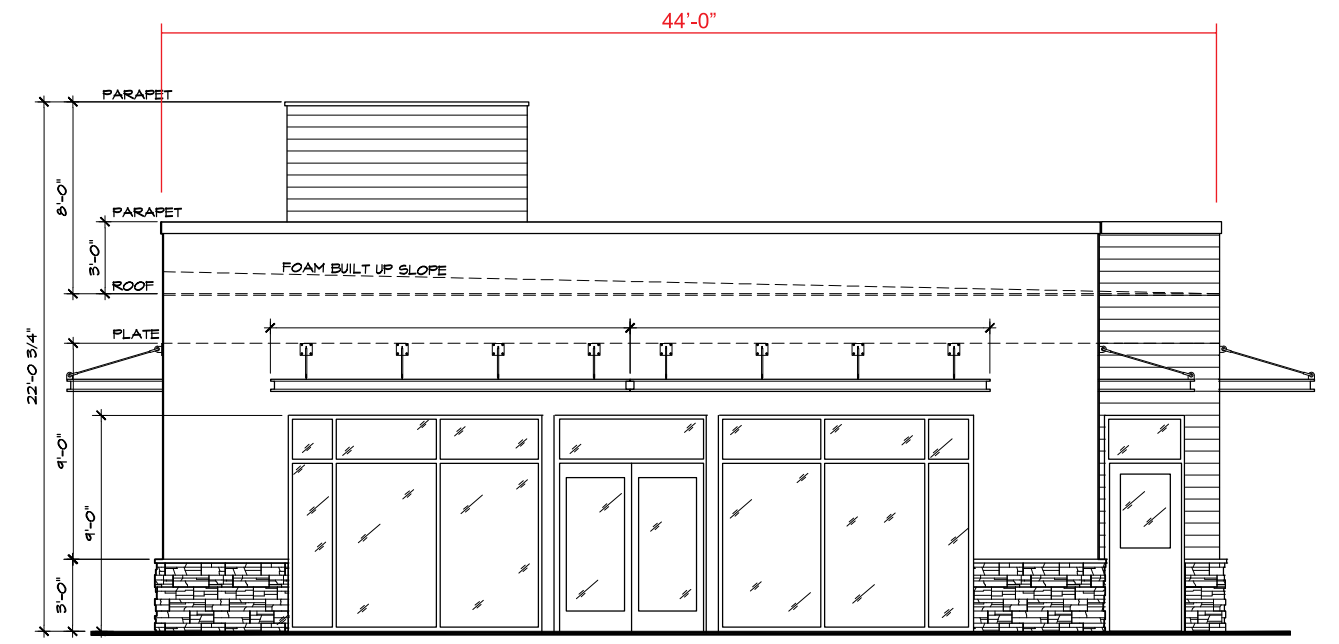
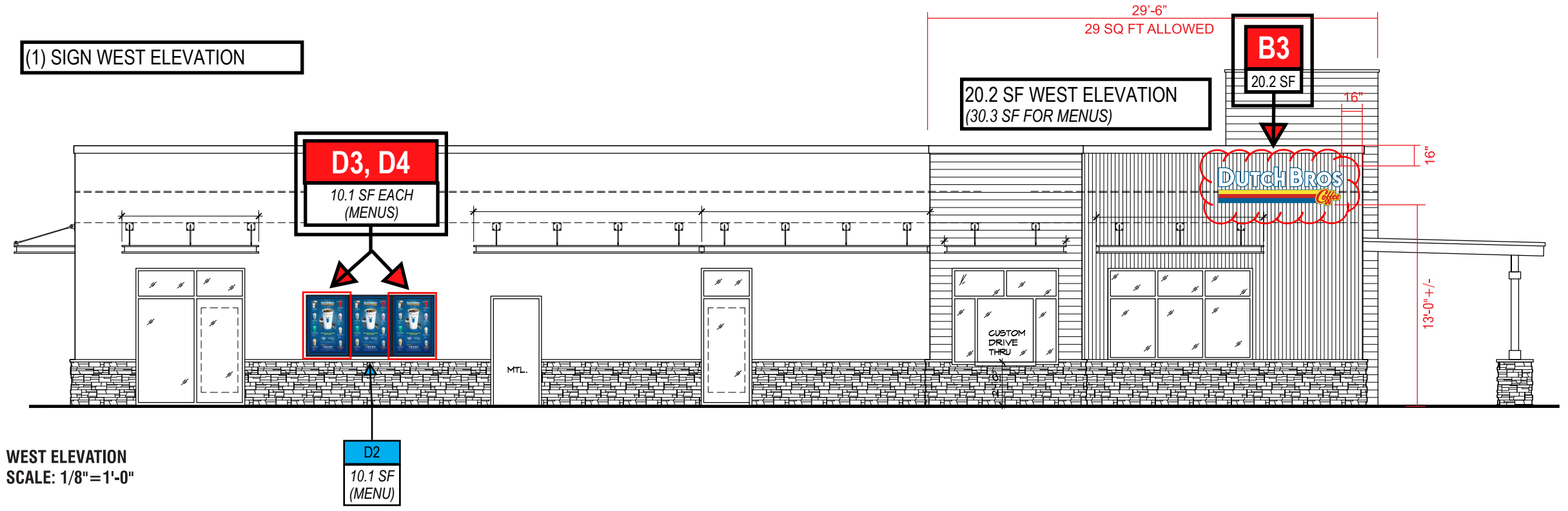
SHOP DRAWING #:
31748

CLIENT:
919 HOPPER AVE.
SANTA ROSA, CA

DATE OF SHOP DRAWING:
11/11/20

SHOP REVISIONS:
1.11.21 MOVED MENU ON WEST &
ADDED 2 MORE.

SALES:	CONCEPT DESIGN:	PROD. DESIGN:	PAGE NO:
NJ	CH	CH	2 of 3



ES&A SIGN & AWNING
89975 PRAIRIE RD. | EUGENE, OR 97402
P 541.485.5546 | F 541.485.5813

SUMMARY DRAWING

DUTCH BROTHERS SIGNS VARIANCE - 919 HOPPER AVENUE SUMMARY - FREESTANDING SIGNS & MENUS

LEGEND

= PROPOSED
= EXISTING

(1) FREESTANDING SIGN

SHOP DRAWING #:
31748

CLIENT:

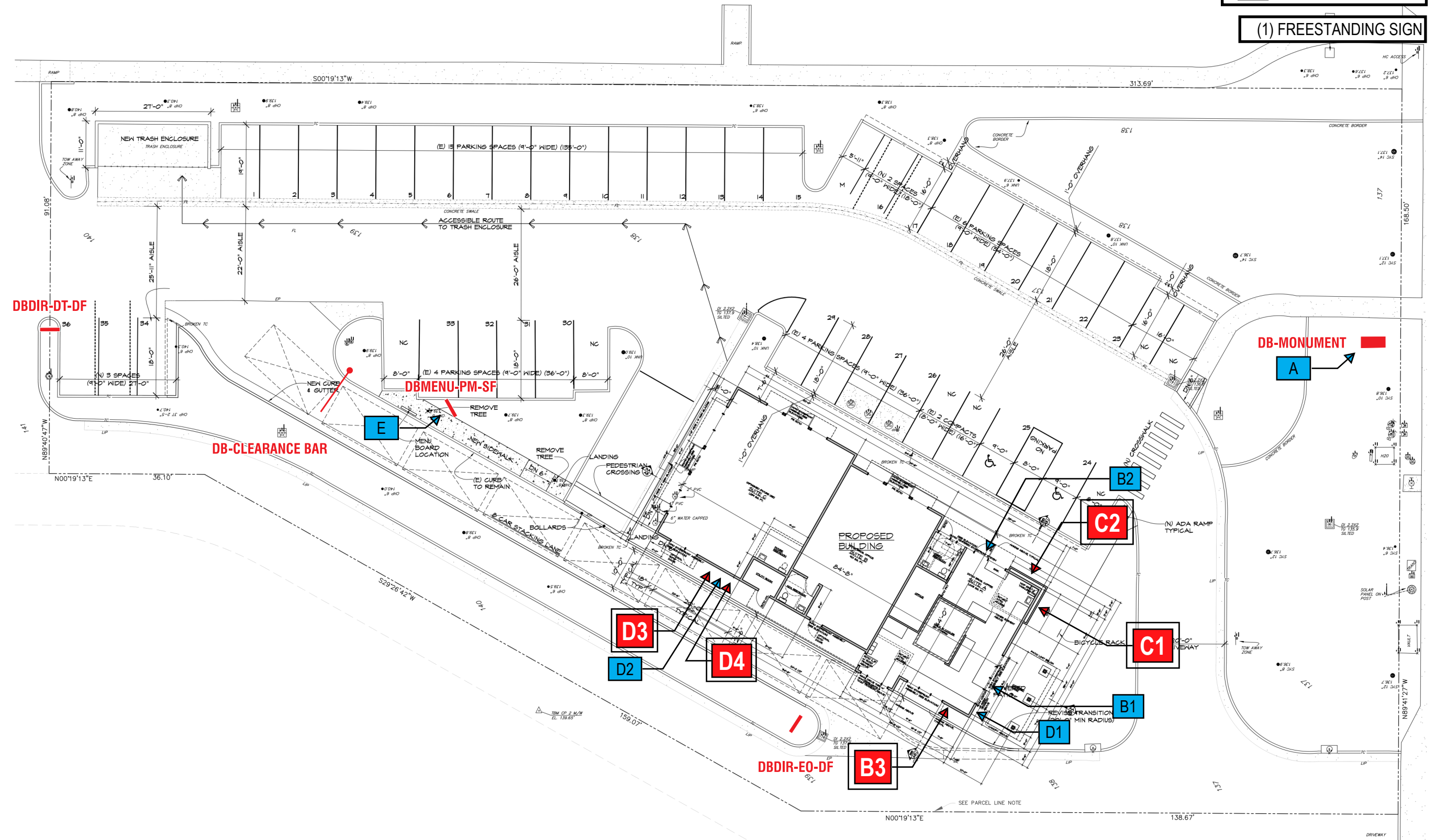
919 HOPPER AVE.
SANTA ROSA, CA

DATE OF SHOP DRAWING:
11/11/20

SHOP REVISIONS:
1.11.21 MOVED MENU ON WEST & ADDED 2 MORE.

SALES:	CONCEPT DESIGN:	PROD. DESIGN:	PAGE NO:
NJ	CH	CH	3 of 3

ES&A SIGN & AWNING
89975 PRAIRIE RD. | EUGENE, OR 97402
P 541.485.5546 | F 541.485.5813



ARCHITECTURAL SITE PLAN

SCALE: 2" = 46'-5"



FACTORY DRAWING

DUTCH BROTHERS SIGNS VARIANCE - 919 HOPPER AVENUE SCOPE OF WORK: MANUFACTURE & INSTALL (1) D/F INTERNALLY ILLUMINATED MONUMENT TENANT SIGN



SHOP DRAWING #:
31748A1

CLIENT:

919 HOPPER AVE.
SANTA ROSA, CA

DATE OF SHOP DRAWING:
11/11/20

SHOP REVISIONS:
12.8.20 CHANGED TO A MONUMENT TENANT SIGN.
10.26.21 INCREASED FOOTING BY 3"

SALES:	CONCEPT DESIGN:	PROD. DESIGN:	PAGE NO:
NJ	CH	CH	1 of 2

A

6.67 SF
SINGLE PANEL



ES&A SIGN & AWNING
89975 PRAIRIE RD. | EUGENE, OR 97402
P 541.485.5546 | F 541.485.5813

COLOR CODE

	230-015 YELLOW PSV
	230-33 RED PSV
	230-127 INTENSE BLUE PSV
	WHITE
	ORACAL 8500-072 LIGHT GREY PSV
	DB CUSTOM GREY
	DB CUSTOM DARK BLUE

FABRICATED ALUMINUM STRUCTURE PAINTED DB CUSTOM DARK BLUE.
FABRICATED ALUMINUM SIGN CABINET WITH DIVIDER BARS PAINTED DB CUSTOM GREY.
WHITE LEXAN FACES WITH TRANSLUCENT VINYL GRAPHICS.
WHITE LED ILLUMINATION.
FABRICATED ALUMINUM SKIRT.
STACKED STONE VENEER & ALUMINUM DRIP CAP ON TOP OF STONE PAINTED DB CUSTOM GREY. (BY OTHERS).
DIRECT BURY AUGURED FOOTING BY SIGN INSTALLER.

FACTORY DRAWING

DUTCH BROTHERS SIGNS VARIANCE - 919 HOPPER AVENUE SCOPE OF WORK: MANUFACTURE & INSTALL (3) SETS OF ILLUMINATED CHANNEL LETTERS WITH REMOTE RACEWAYS



B1 B2

B3

PROPOSED

20.2 SF

SHOP DRAWING #:
31748B

CLIENT:
919 HOPPER AVE.
SANTA ROSA, CA

DATE OF SHOP DRAWING:
11/11/20

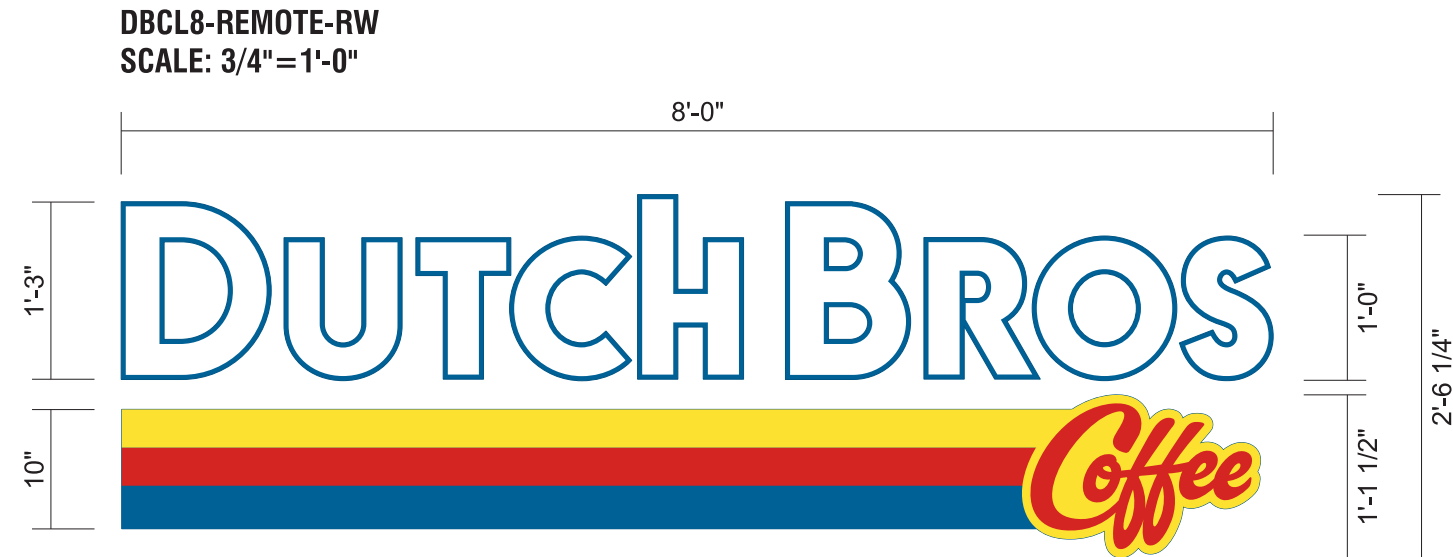
SHOP REVISIONS:

SALES:	CONCEPT DESIGN:	PROD. DESIGN:	PAGE NO:
NJ	CH	CH	1 of 1

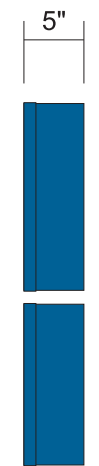
ES&A SIGN & AWNING
89975 PRAIRIE RD. | EUGENE, OR 97402
P 541.485.5546 | F 541.485.5813

COLOR CODE

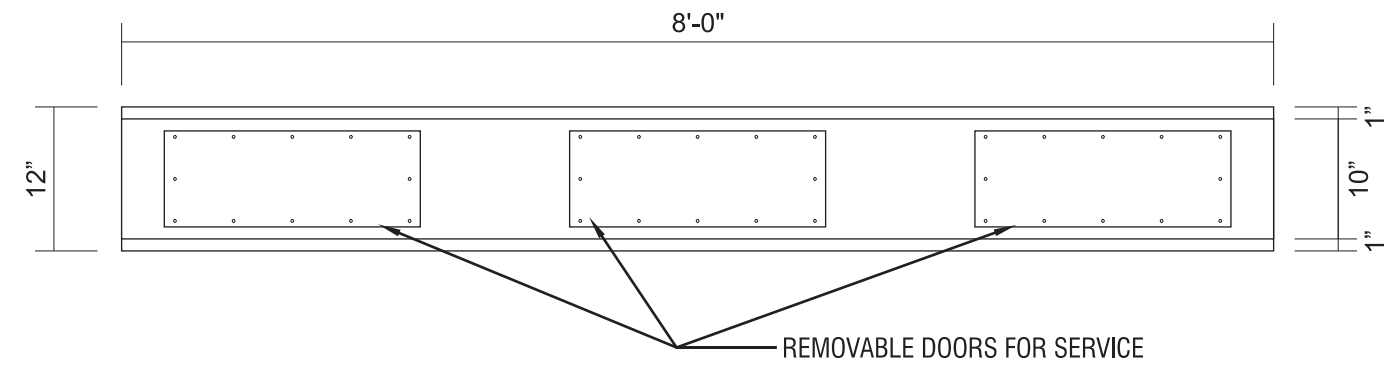
	230-015 YELLOW PSV
	230-33 RED PSV
	230-127 INTENSE BLUE PSV
	WHITE



SIDE VIEW

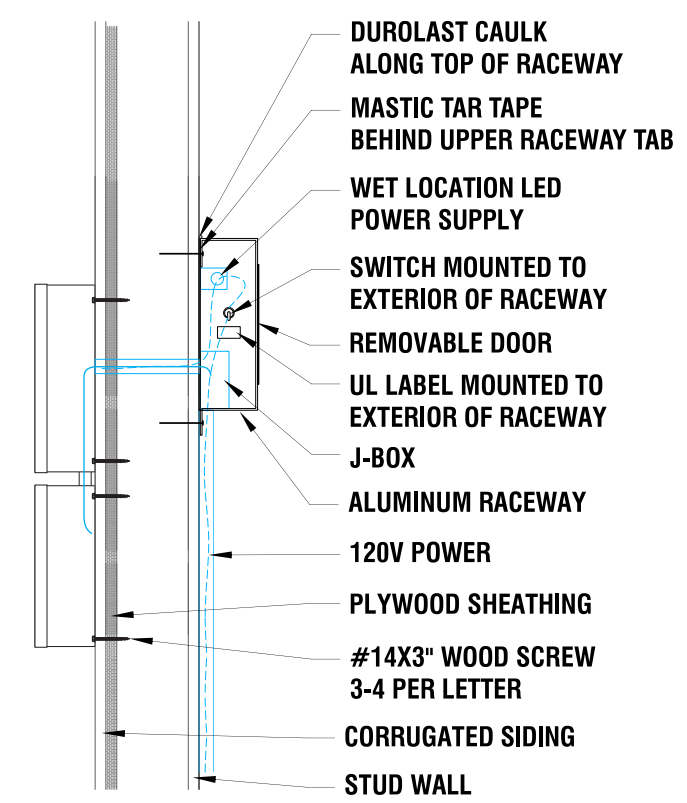


FABRICATED REMOTE RACEWAY
.040 PRE-COAT WHITE ALUMINUM



ATTACHMENT DETAIL

SCALE: 3/4" = 1'-0"
CHANNEL LETTERS WITH REMOTE RACEWAY



INTERNALLY ILLUMINATED FACE-LIT FLUSH MOUNTED CHANNEL LETTERS
5" DEEP CHANNEL LETTERS.
RETURNS & TRIM CAP TO MATCH PANTONE 7691 C "INTENSE BLUE".
WHITE ACRYLIC FACES.
230-127 INTENSE BLUE PSV, 230-015 YELLOW PSV, 230-33 RED PSV.
LED ILLUMINATION.
FLUSH MOUNTED WITH REMOTE RACEWAY BEHIND PARAPET WALL.

FACTORY DRAWING

DUTCH BROTHERS SIGNS VARIANCE - 919 HOPPER AVENUE SCOPE OF WORK: MANUFACTURE & INSTALL (2) ILLUMINATED WINDMILL LOGOS



SHOP DRAWING #:
31748C

CLIENT:

919 HOPPER AVE.
SANTA ROSA, CA

DATE OF SHOP DRAWING:

11/11/20

SHOP REVISIONS:

SALES:	CONCEPT DESIGN:	PROD. DESIGN:	PAGE NO:
NJ	CH	CH	1 of 1

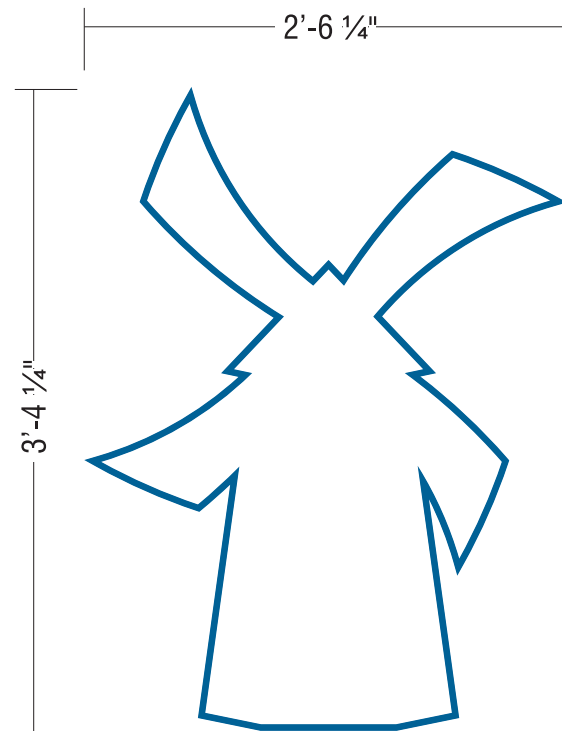
ES&A SIGN & AWNING
89975 PRAIRIE RD. | EUGENE, OR 97402
P 541.485.5546 | F 541.485.5813



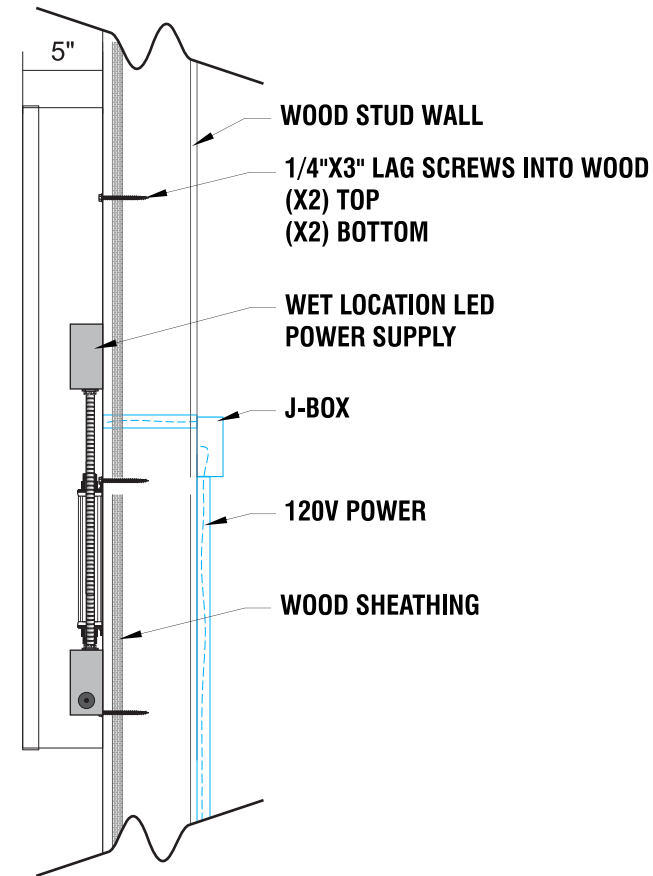
8.3 SF

PROPOSED

DBW9
SCALE: 1"=1'-0"

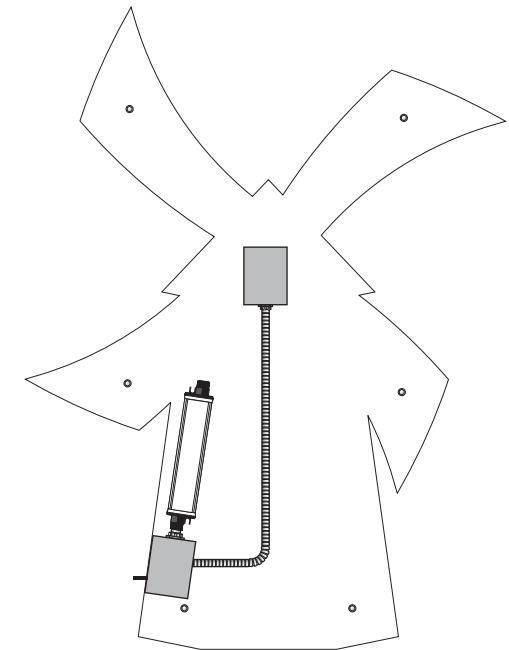


ATTACHMENT DETAIL



Side View

SELF CONTAINED CHANNEL LOGO



**INTERNALLY ILLUMINATED FACE-LIT FLUSH MOUNTED CHANNEL WRAP LOGO
5" DEEP CHANNEL WRAP.
RETURNS & TRIM CAP PAINTED TO MATCH PANTONE 7691 C "INTENSE BLUE".
WHITE ACRYLIC FACE.
230-127 INTENSE BLUE PSV OUTLINE.
LED ILLUMINATION.
FLUSH MOUNTED SELF CONTAINED INSTALLATION.**

COLOR CODE

	230-127 INTENSE BLUE PSV
	WHITE

FACTORY DRAWING

DUTCH BROTHERS SIGNS VARIANCE - 919 HOPPER AVENUE SCOPE OF WORK: PROVIDE (4) ILLUMINATED MENU SIGNS V5 - WALL-MOUNTED



D1 D2

D3

PROPOSED

D4

**10.1 SF
(MENU)**

SHOP DRAWING #:
31748D

CLIENT:

919 HOPPER AVE.
SANTA ROSA, CA

DATE OF SHOP DRAWING:

11/11/20

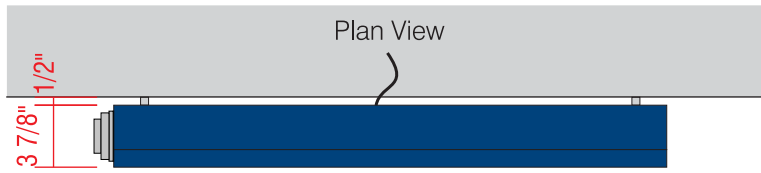
SHOP REVISIONS:

1.11.21 ADDED 2 MORE.

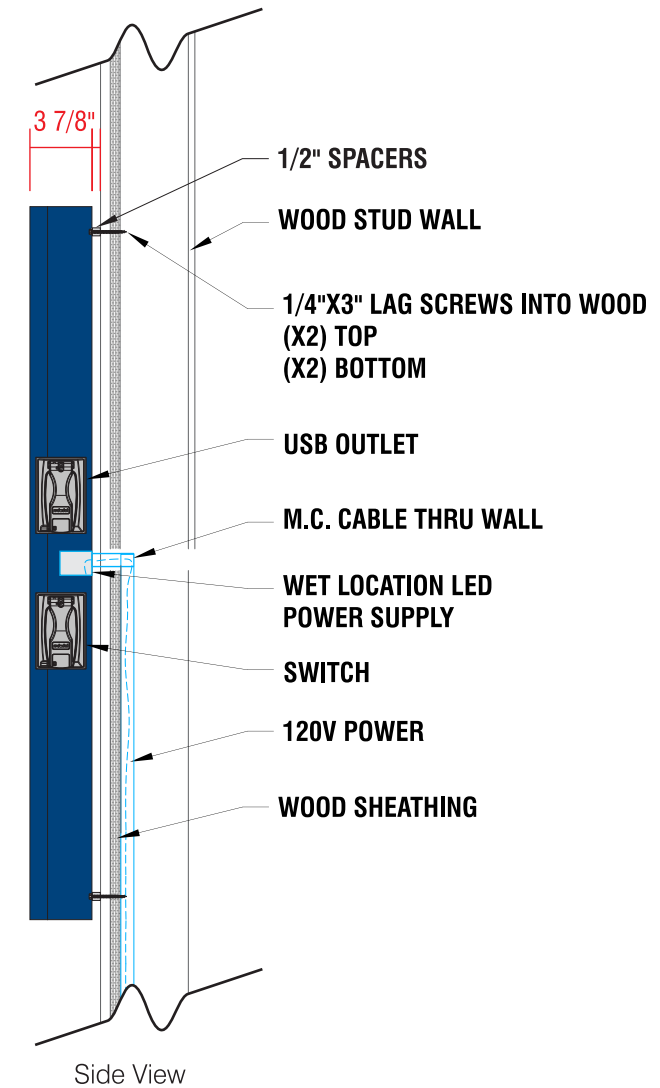
SALES:	CONCEPT DESIGN:	PROD. DESIGN:	PAGE NO:
NJ	CH	CH	1 of 1

ES&A SIGN & AWNING
89975 PRAIRIE RD. | EUGENE, OR 97402

P 541.485.5546 | F 541.485.5813



ATTACHMENT DETAIL ILLUMINATED WALL MOUNTED MENU



- A WALL-MOUNTED, BACKLIT MENU SIGN**
 - PRINTED MENU PANEL NOT INCLUDED
 - LED OUTDOOR LIGHT BOX
 - LOCKABLE HINGED DOOR
 - ALUMINUM CONSTRUCTION
- B PRINTED LIGHT GUIDE PANEL**
 - AS SEPARATE ORDER

COLOR CODE

- DIGITAL PRINT
- POWDER COATED DB CUSTOM DARK BLUE
- POWDER COATED SILVER

FACTORY DRAWING

DUTCH BROTHERS SIGNS VARIANCE - 919 HOPPER AVENUE SCOPE OF WORK: PROVIDE (1) S/F ILLUMINATED MENU SIGN V5 - PLATE-MOUNTED



SHOP DRAWING #:
31748E

CLIENT:
919 HOPPER AVE.
SANTA ROSA, CA

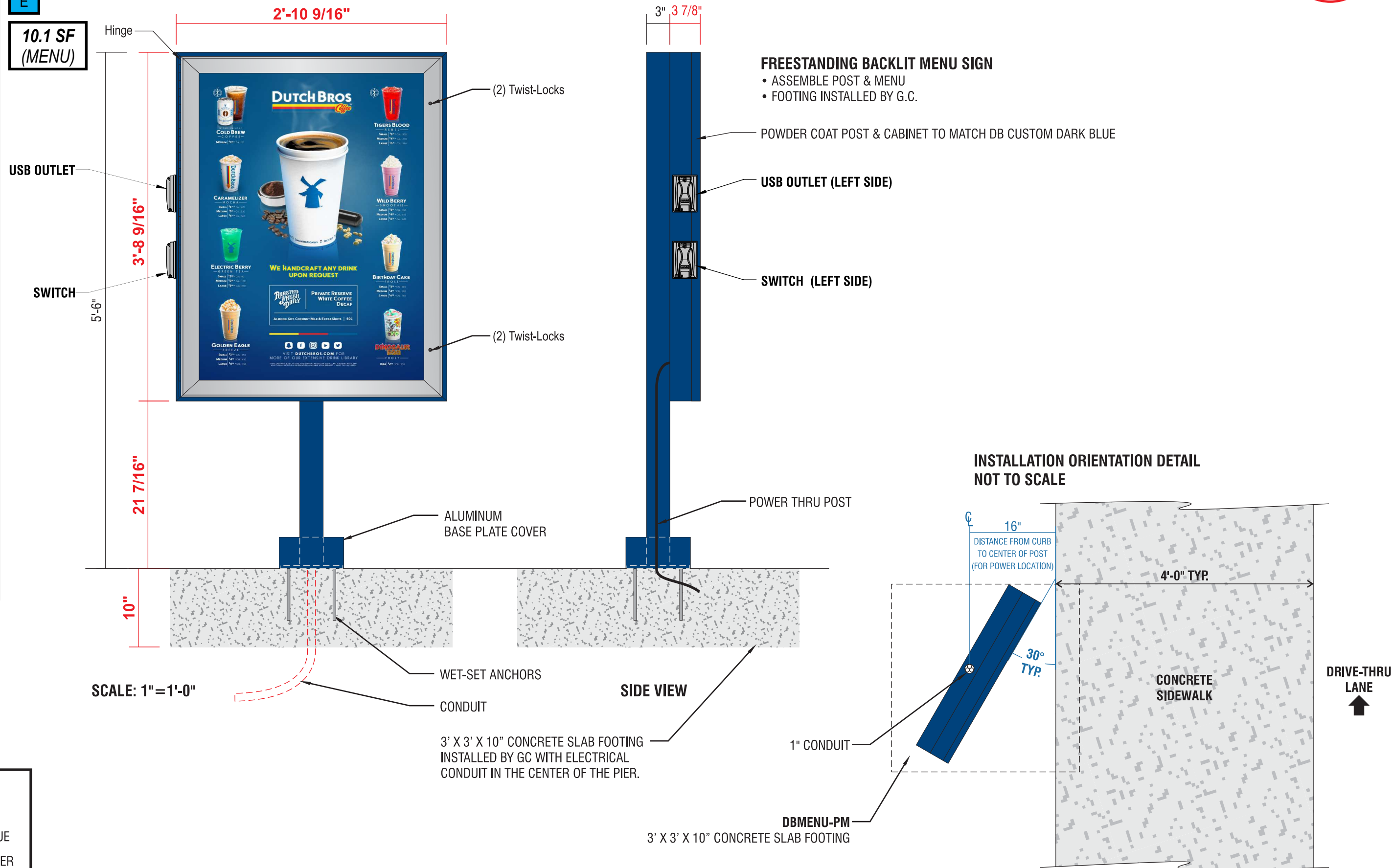
DATE OF SHOP DRAWING:
11/11/20

SHOP REVISIONS:

SALES:	CONCEPT DESIGN:	PROD. DESIGN:	PAGE NO:
NJ	CH	CH	1 of 1

E

10.1 SF (MENU)



ES&A SIGN & AWNING
89975 PRAIRIE RD. | EUGENE, OR 97402
P 541.485.5546 | F 541.485.5813

COLOR CODE

	DIGITAL PRINT
	POWDER COATED DB CUSTOM DARK BLUE
	POWDER COATED SILVER